

# QM40 Soapstone

A+



- 586 kg
- 1558 mm
- 520 mm
- 475 mm
- 1233 mm
- 30 - 125 m<sup>2</sup>

### EN 13 240

- 12 Pa
- 5,7 kW
- Mg/M<sup>3</sup>** 6
- 1,8 kg
- 80%

A+

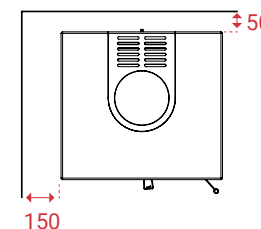
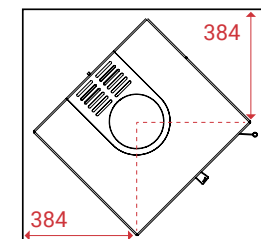
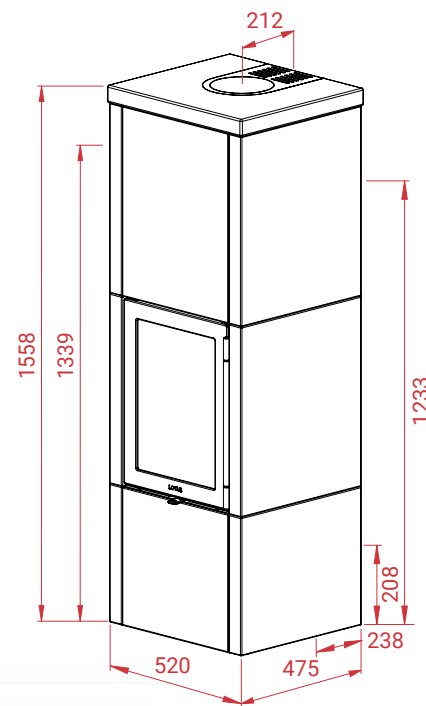
### EN 15 250

- 12 Pa
- 2,2 kW
- Mg/M<sup>3</sup>** 22
- 8,8 kg/22 hours
- 77%
- 30 kWh

A



# QM40 Soapstone



### Other models in the series:

- QM40 - Baking sektion
- QM40 Indian Night
- QM40 Indian Night - Baking sektion

### Accessories:

- Optional handles



LOTUS HEATING SYSTEMS AS

Tlf. +45 6323 7070  
[www.lotusstoves.com](http://www.lotusstoves.com)  
 Email [info@lotusstoves.com](mailto:info@lotusstoves.com)

# QM40 Soapstone

## Baking section

A+

10  
years  
Guarantee



500 kg  
1558 mm  
520 mm  
475 mm  
1233 mm  
30 - 125 m<sup>2</sup>

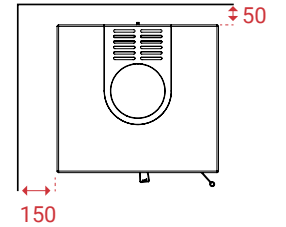
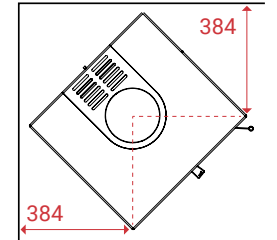
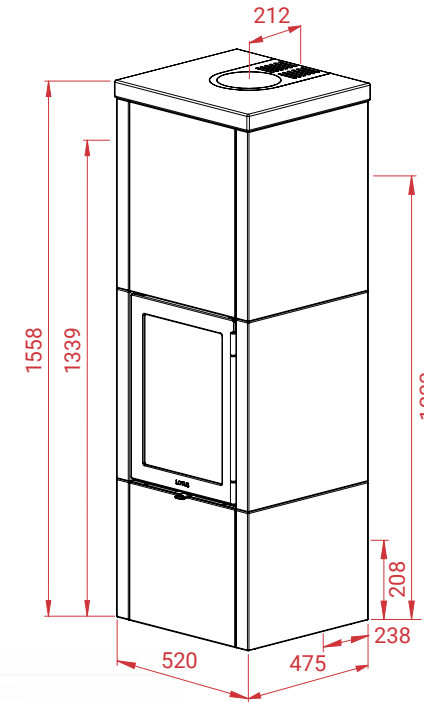
EN 13 240  
12 Pa  
5,7 kW  
Mg/M<sup>3</sup> 6  
1,8 kg  
80%

A+

 **LOTUS**  
QUALITY FIRST

# QM40 Soapstone

## Baking section



### Other models in the series:

QM40 Soapstone  
QM40 Indian Night  
QM40 Indian Night - Baking section

### Accessories:

Optional handles

 **LOTUS**  
QUALITY FIRST

**LOTUS HEATING SYSTEMS AS**

Tlf. +45 6323 7070

[www.lotusstoves.com](http://www.lotusstoves.com)

Email [info@lotusstoves.com](mailto:info@lotusstoves.com)

# QM40 Indian Night

A+



- 586 kg
- 1558 mm
- 520 mm
- 475 mm
- 1233 mm
- 30 - 125 m<sup>2</sup>

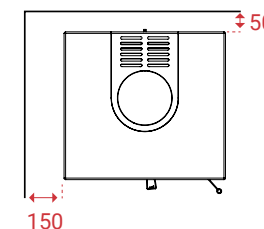
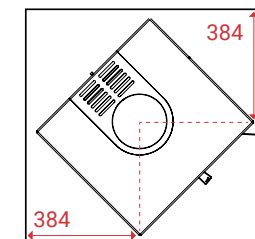
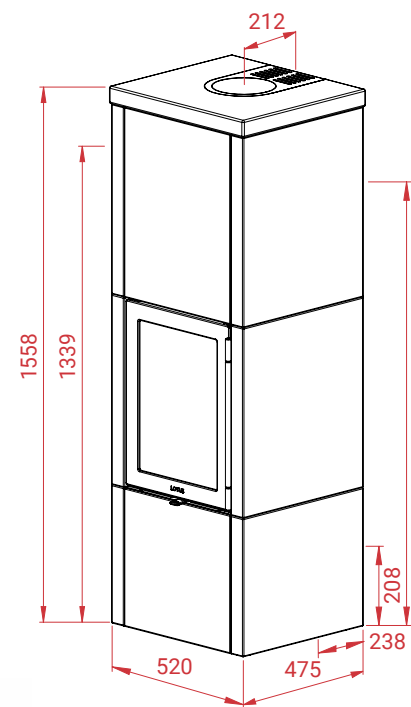
- EN 13 240**
- 12 Pa
  - 5,7 kW
  - Mg/M<sup>3</sup>** 6
  - 1,8 kg
  - 80%



- EN 15 250**
- 12 Pa
  - 2,2 kW
  - Mg/M<sup>3</sup>** 22
  - 
  - 77%
  - 30 kWh



# QM40 Indian Night



**Other models in the series:**

- QM40 Soapstone
- QM40 Soapstone - Baking section
- QM40 Indian Night - Baking section

**Accessories:**

- Optional handles



**LOTUS HEATING SYSTEMS AS**

Tlf. +45 6323 7070  
[www.lotusstoves.com](http://www.lotusstoves.com)  
 Email [info@lotusstoves.com](mailto:info@lotusstoves.com)

# QM40 Soapstone

## Baking sektion

A+

10  
years  
Guarantee



KG 500 kg  
I 1558 mm  
H 520 mm  
W 475 mm  
D 1233 mm  
30 - 125 m<sup>2</sup>

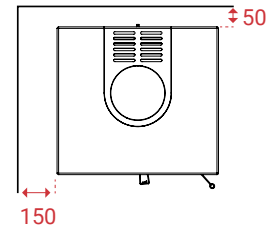
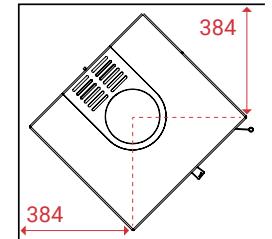
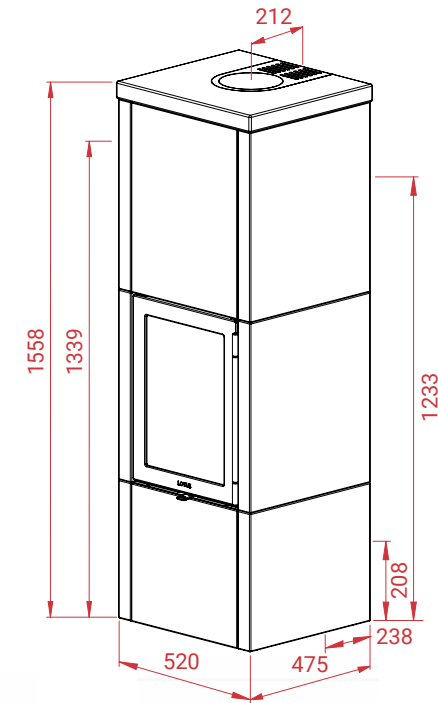
EN 13 240  
↑ 12 Pa  
🔥 5,7 kW  
Mg/M<sup>3</sup> 6  
🕒 1,8 kg  
📊 80%

A+

 **LOTUS**  
QUALITY FIRST

# QM40 Soapstone

## Baking sektion



### Other models in the series:

QM40 Soapstone  
QM40 Soapstone - Baking sektion  
QM40 Indian Night

### Accessories:

Optional handles

 **LOTUS**  
QUALITY FIRST

**LOTUS HEATING SYSTEMS AS**

Tlf. +45 6323 7070

[www.lotusstoves.com](http://www.lotusstoves.com)

Email [info@lotusstoves.com](mailto:info@lotusstoves.com)