







Prestige Basic

A+



-  113 kg
-  12 Pa
-  5 kW
-  3-7 kW
-  30 - 120 m²

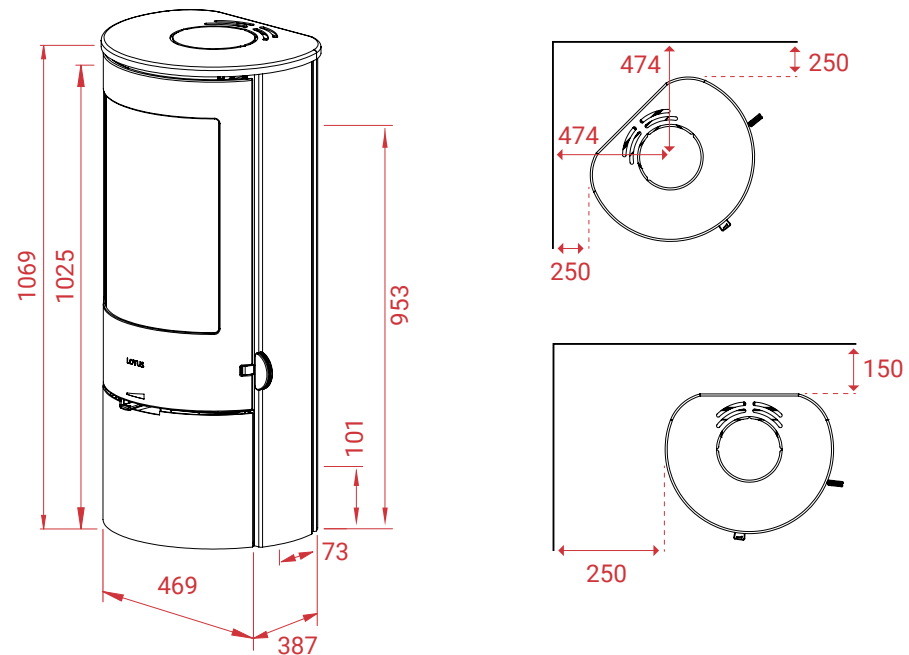
Mg/M³ 19

 1,7 kg

 80,5%



Prestige Basic



Other models in the series:

- Prestige Basic Soapstone
 - Prestige Basic Indian Night
 - Prestige Basic Sand
 - Prestige Basic MST
 - Prestige Basic M
 - Prestige Basic M Indian Night
- All stoves in black or grey.**

Accessories:

- Wood compartment door
- Soapstone/Indian Night top plate
- Optional handles
- Shaped glass floor plate
- Universal glass floor plate black



LOTUS HEATING SYSTEMS AS





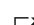
Tlf. +45 6323 7070

www.lotusstoves.com

Email info@lotusstoves.com

Prestige Basic Soapstone A+



-  147 kg
-  12 Pa
-  5 kW
-  3-7 kW
-  30 - 120 m²

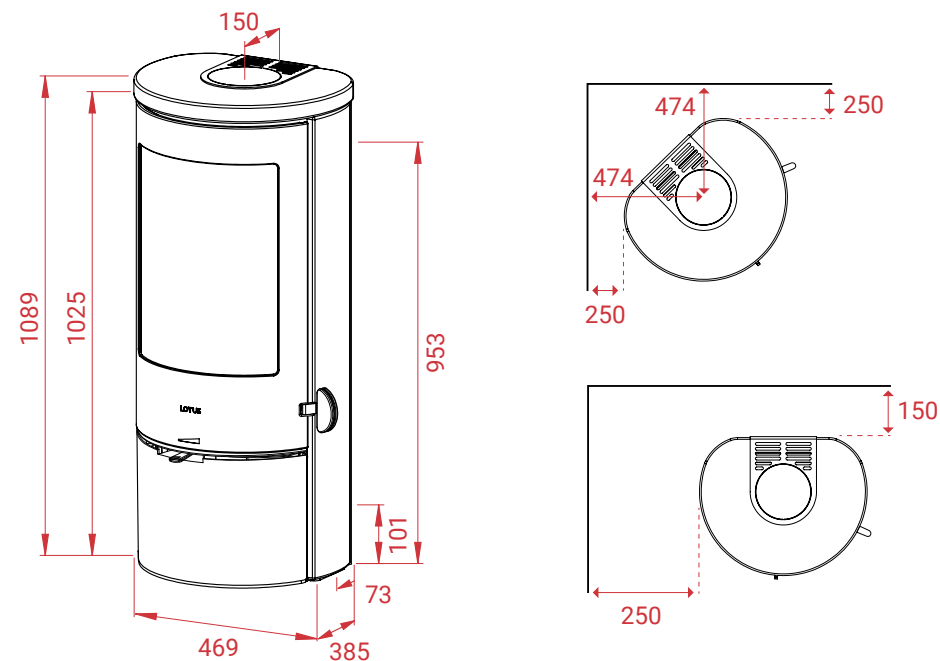
Mg/M³ 19

 1,7 kg

 80,5%



Prestige Basic Soapstone



Other models in the series:

- Prestige Basic Steel
 - Prestige Basic Indian Night
 - Prestige Basic Sand
 - Prestige Basic MST
 - Prestige Basic M
 - Prestige Basic M Indian Night
- All stoves in black or grey.**

Accessories:

- Wood compartment door
- Optional handles
- Shaped glass floor plate
- Universal glass floor plate black



LOTUS HEATING SYSTEMS AS





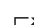
Tlf. +45 6323 7070

www.lotusstoves.com

Email info@lotusstoves.com

Prestige Basic Indian Night A+



-  147 kg
-  12 Pa
-  5 kW
-  3-7 kW
-  30 - 120 m²

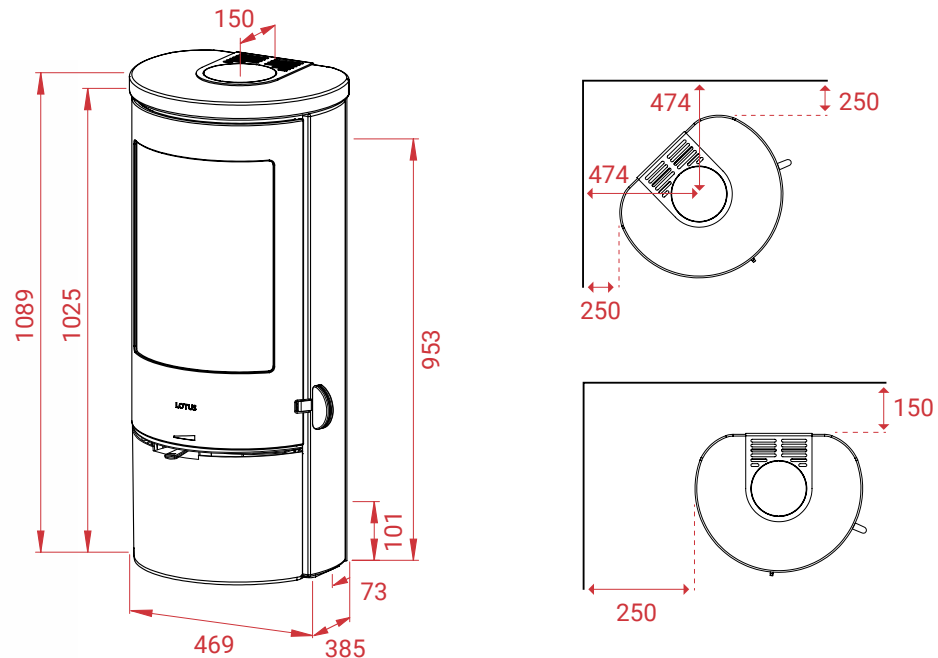
Mg/M³ 19

 1,7 kg

 80,5%



Prestige Basic Indian Night



Other models in the series:

- Prestige Basic Steel
 - Prestige Basic Soapstone
 - Prestige Basic Sand
 - Prestige Basic MST
 - Prestige Basic M
 - Prestige Basic M Indian Night
- All stoves in black or grey.**

Accessories:

- Wood compartment door
- Optional handles
- Shaped glass floor plate
- Universal glass floor plate black



LOTUS HEATING SYSTEMS AS

Tlf. +45 6323 7070






www.lotusstoves.com



Email info@lotusstoves.com

Prestige Basic Sand

A+

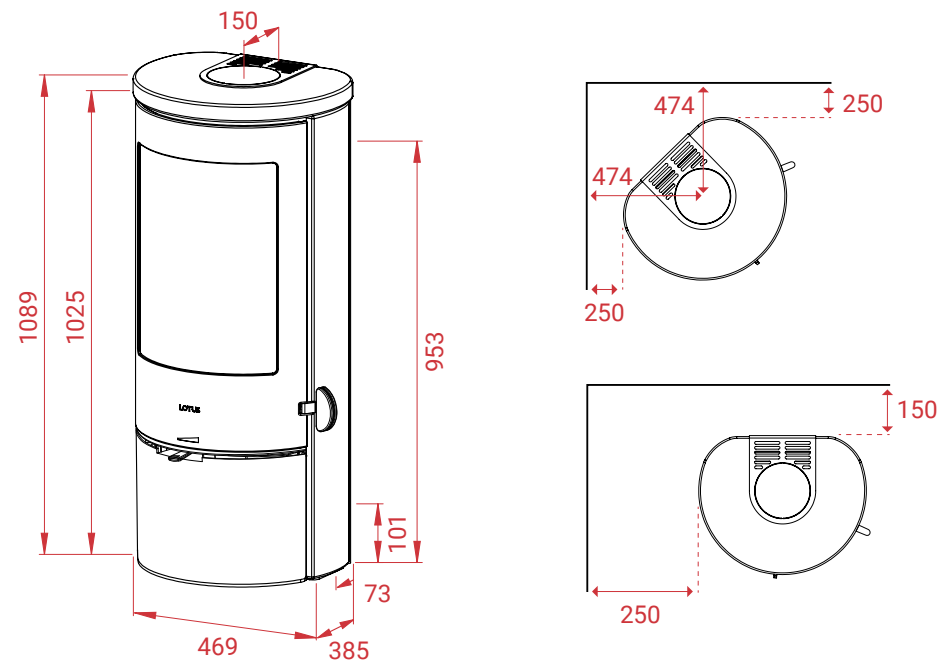


-  147 kg
-  12 Pa
-  5 kW
-  3-7 kW
-  30 - 120 m²

- Mg/M³** 19
-  1,7 kg
-  80,5%



Prestige Basic Sand



Other models in the series:

- Prestige Basic Steel
 - Prestige Basic Soapstone
 - Prestige Basic Indian Night
 - Prestige Basic MST
 - Prestige Basic M
 - Prestige Basic M Indian Night
- All stoves in black or grey.**

Accessories:

- Wood compartment door
- Optional handles
- Shaped glass floor plate
- Universal glass floor plate black



LOTUS HEATING SYSTEMS AS






Tlf. +45 6323 7070
www.lotusstoves.com
 Email info@lotusstoves.com



Prestige Basic Limestone

A+

10 years Guarantee

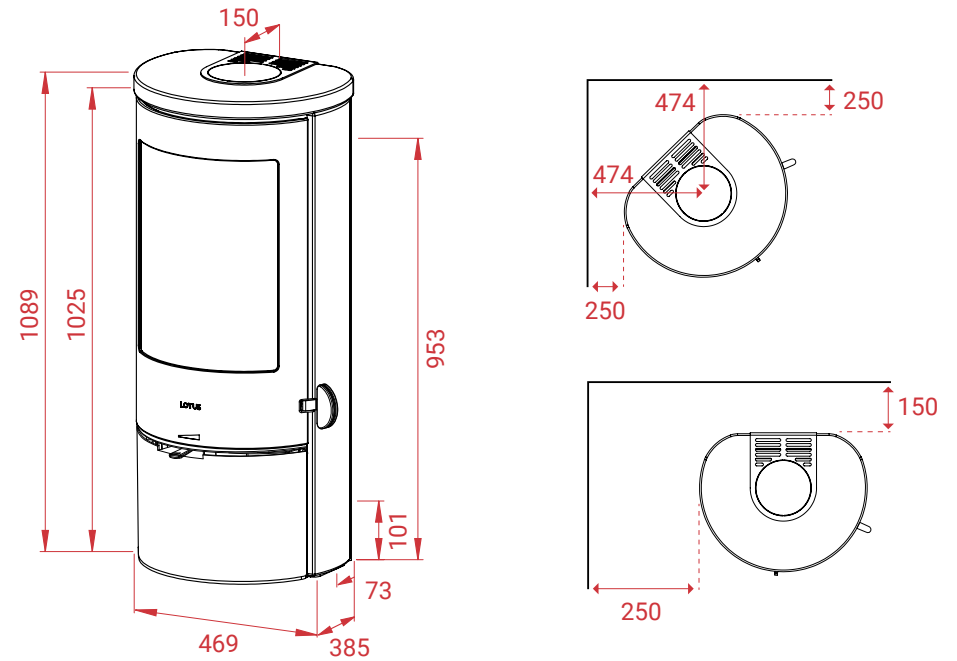


-  141 kg
-  12 Pa
-  5 kW
-  3-7 kW
-  20 - 120 m²

- Mg/M³** 19
-  1,7 kg
-  80,5%

 **LOTUS**
QUALITY FIRST

Prestige Basic Limestone



Other models in the series:

- Prestige Basic Steel
 - Prestige Basic Soapstone
 - Prestige Basic Indian Night
 - Prestige Basic Coffee Stone
 - Prestige Basic M
 - Prestige Basic M Indian Night
- All stoves in black or grey.**

 **LOTUS**
QUALITY FIRST

LOTUS HEATING SYSTEMS AS

Tlf. +45 6323 7070

www.lotusstoves.com






Email info@lotusstoves.com



Prestige Basic Coffee Stone

A+

10 years Guarantee

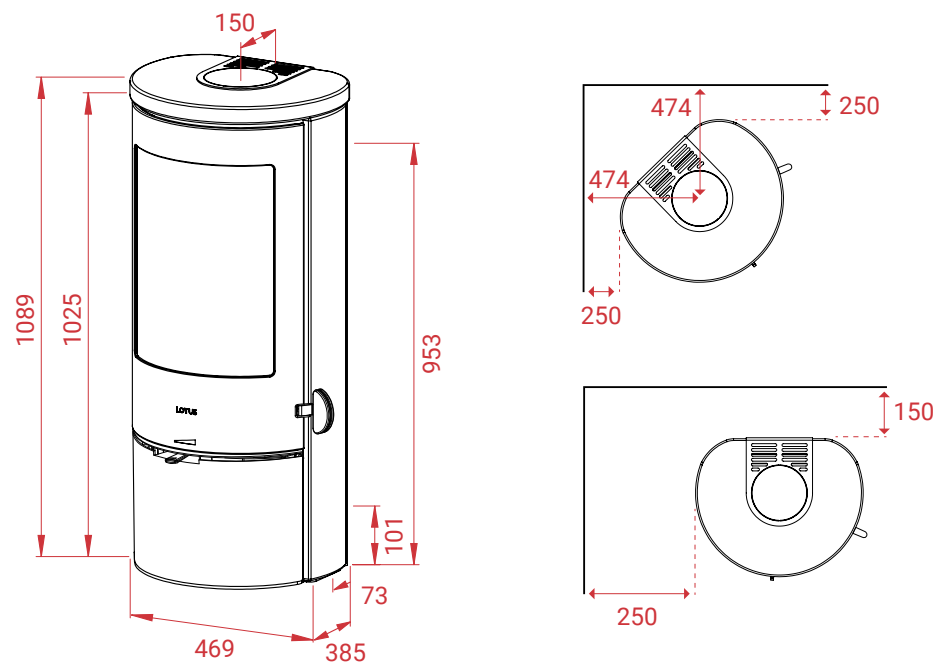


-  141 kg
-  12 Pa
-  5 kW
-  3-7 kW
-  20 - 120 m²

- Mg/M³** 19
-  1,7 kg
-  80,5%

 **LOTUS**
QUALITY FIRST

Prestige Basic Coffee Stone



Other models in the series:

- Prestige Basic Steel
 - Prestige Basic Soapstone
 - Prestige Basic Indian Night
 - Prestige Basic Limestone
 - Prestige Basic M
 - Prestige Basic M Indian Night
- All stoves in black or grey.**

 **LOTUS**
QUALITY FIRST

LOTUS HEATING SYSTEMS AS

Tlf. +45 6323 7070

www.lotusstoves.com

Email info@lotusstoves.com

Prestige Integra

A+

10
years
Guarantee



- 125 kg
- 12 Pa
- 5 kW
- 3-7 kW
- 30 - 120 m²

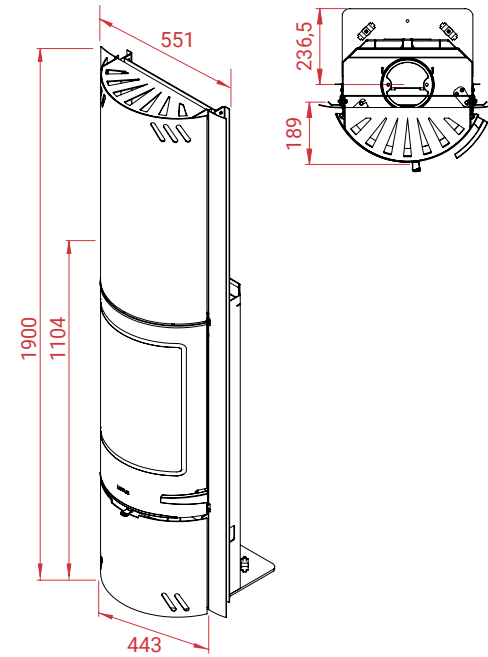
Mg/M³ 19

1,7 kg

80,5%

 **LOTUS**
QUALITY FIRST

Prestige Integra



Other models in the series:

Prestige Magic 40
Prestige S
Stove only in black

Accessories:

Heat storage 90 kg

See the stoves online:



 **LOTUS**
QUALITY FIRST

LOTUS HEATING SYSTEMS AS

Tlf. +45 6323 7070

www.lotusstoves.com

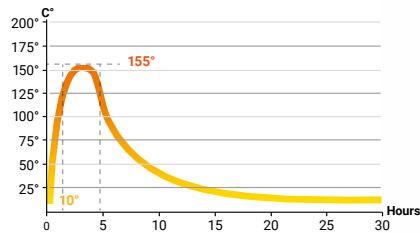
Email info@lotusstoves.com

Prestige M

A+



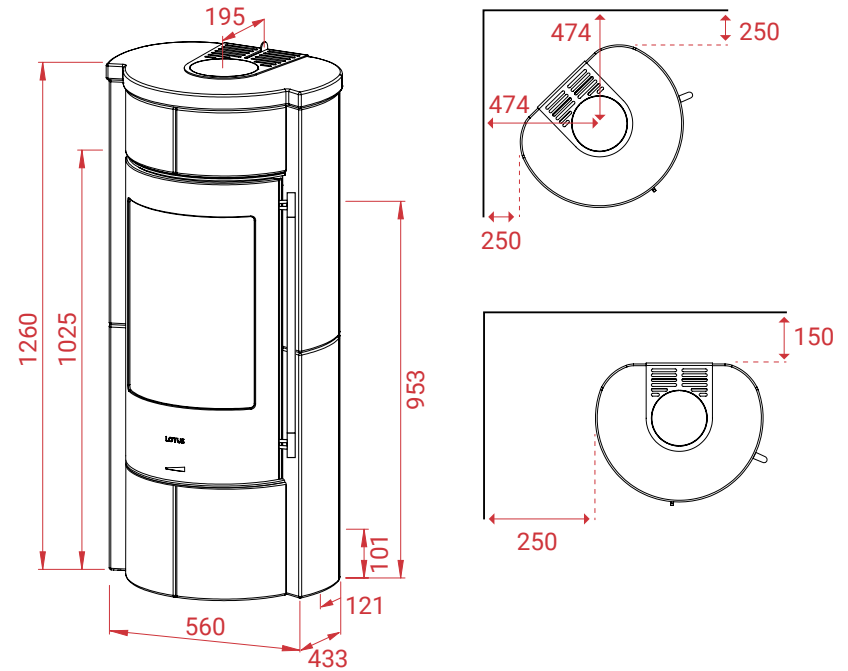
- 356 kg
- 12 Pa
- 5 kW
- 3-7 kW
- 30 - 120 m²



- Mg/M³** 19
- 1,7 kg
- 80,5%



Prestige M



Other models in the series:

- Prestige Basic Steel
 - Prestige Basic Soapstone
 - Prestige Basic Indian Night
 - Prestige Basic Sand
 - Prestige Basic MST
 - Prestige Basic M Indian Night
- All stoves in black or grey.**

Accessories:

- Shaped glass floor plate
- Universal glass floor plate black



LOTUS HEATING SYSTEMS AS

Tlf. +45 6323 7070

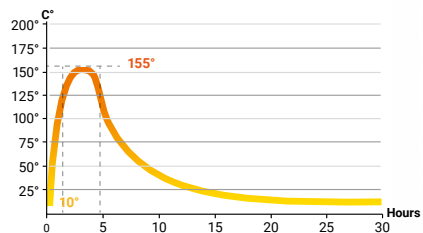
www.lotusstoves.com

Email info@lotusstoves.com

Prestige M Indian Night A+



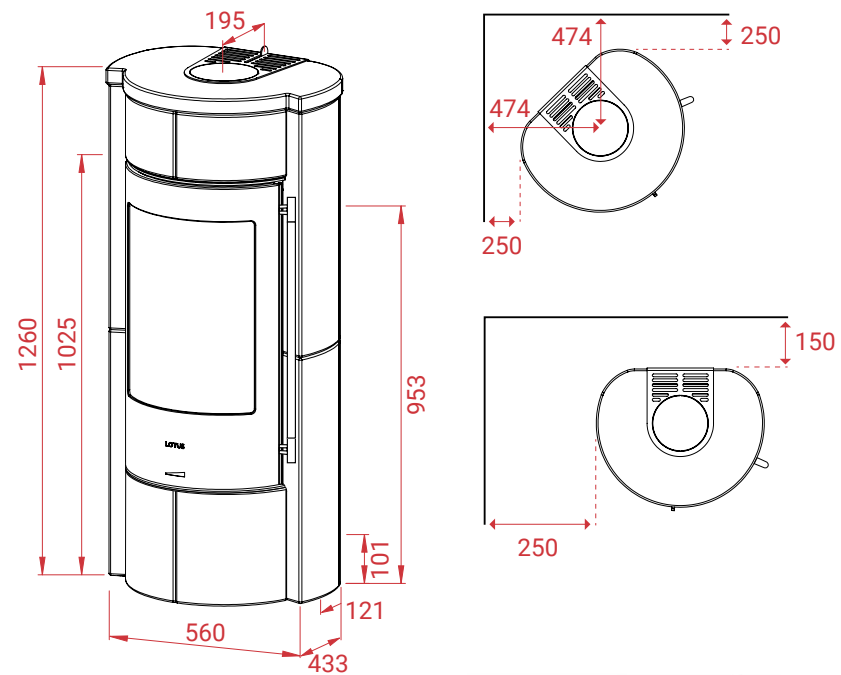
- 356 kg
- 12 Pa
- 5 kW
- 3-7 kW
- 30 - 120 m²



- Mg/M³** 19
- 1,7 kg
- 80,5%



Prestige M Indian Night



Other models in the series:

- Prestige Basic Steel
 - Prestige Basic Soapstone
 - Prestige Basic Indian Night
 - Prestige Basic Sand
 - Prestige Basic MST
 - Prestige Basic M
- All stoves in black or grey.**

Accessories:

- Shaped glass floor plate
- Universal glass floor plate black



LOTUS HEATING SYSTEMS AS






Tlf. +45 6323 7070
www.lotusstoves.com
 Email info@lotusstoves.com

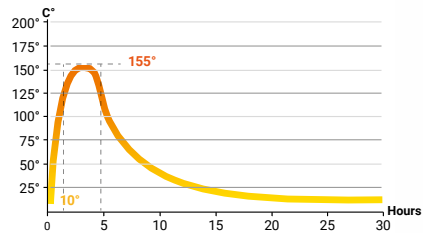
Prestige MST



A+

10 years Guarantee



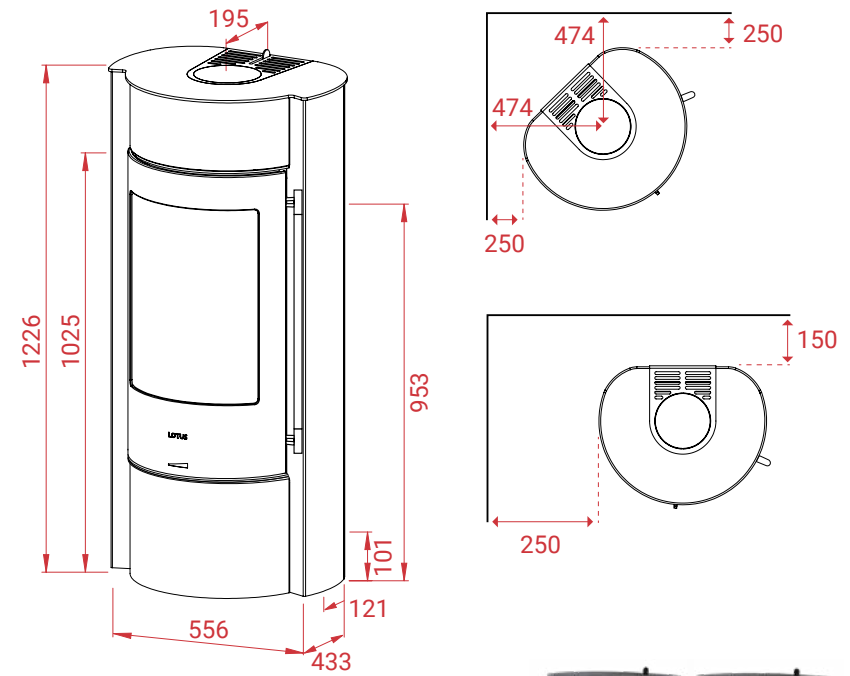
-  326 kg
-  12 Pa
-  5 kW
-  3-7 kW
-  30 - 120 m²



- Mg/M³** 19
-  1,7 kg
-  80,5%

 **LOTUS**
QUALITY FIRST

Prestige MST



Other models in the series:

- Prestige Basic Steel
- Prestige Basic Soapstone
- Prestige Basic Indian Night
- Prestige Basic Sand
- Prestige Basic M
- Prestige Basic M Indian Night
- Stove only in grey.**

Accessories:

- Soapstone top plate
- Shaped glass floor plate
- Universal glass floor plate black

 **LOTUS**
QUALITY FIRST

LOTUS HEATING SYSTEMS AS

Tlf. +45 6323 7070

www.lotusstoves.com

Email info@lotusstoves.com

Prestige Magic 40

A+

10
years
Guarantee



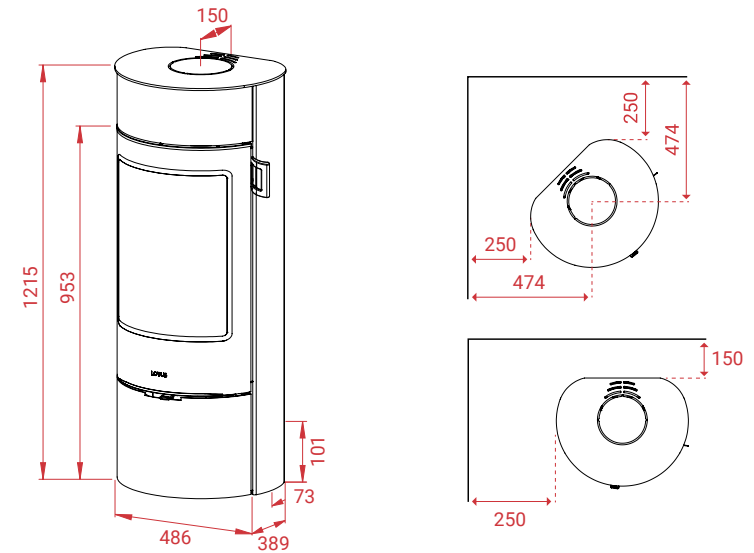
- 129 kg
- 12 Pa
- 5 kW
- 3-7 kW
- 30 - 120 m²

- Mg/M³ 19
- 1,7 kg
- 80,5%



 **LOTUS**
QUALITY FIRST

Prestige Magic 40



Other models in the series:

Prestige S
Prestige Integra
Stove only in black

Accessories:

Optional handles
Shaped glass floor plate
Shaped glass floor plate Magic

See the stoves online:



 **LOTUS**
QUALITY FIRST

LOTUS HEATING SYSTEMS AS

Tlf. +45 6323 7070

www.lotusstoves.com

Email info@lotusstoves.com

Prestige Magic 40 Soapstone

A+

10
years
Guarantee

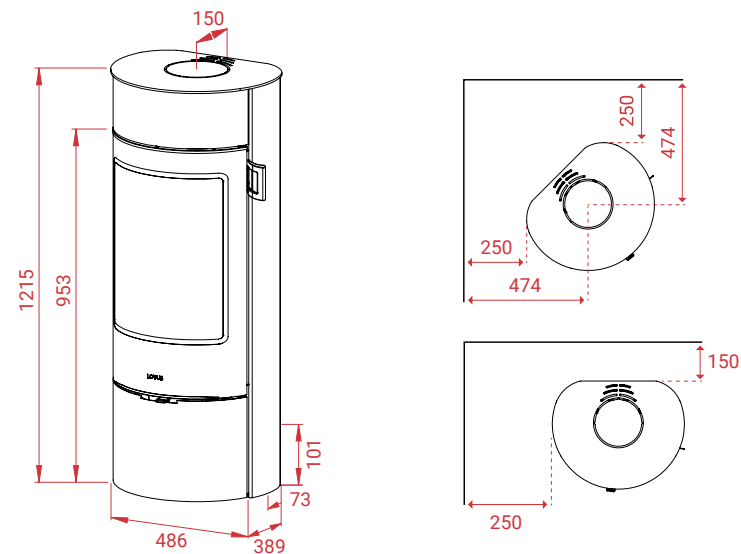


- 190 kg
- 12 Pa
- 4 kW
- 3-6 kW
- 20 - 80 m²

- Mg/M³ 23
- 0,9 kg
- 81%

 **LOTUS**
QUALITY FIRST

Prestige Magic 40 Soapstone



Other models in the series:

Prestige Magic 40
Prestige Magic 40 Limestone

Stove only in black

 **LOTUS**
QUALITY FIRST

LOTUS HEATING SYSTEMS AS

Tlf. +45 6323 7070

www.lotusstoves.com

Email info@lotusstoves.com

Prestige Magic 40 Limestone

A+

10
years
Guarantee

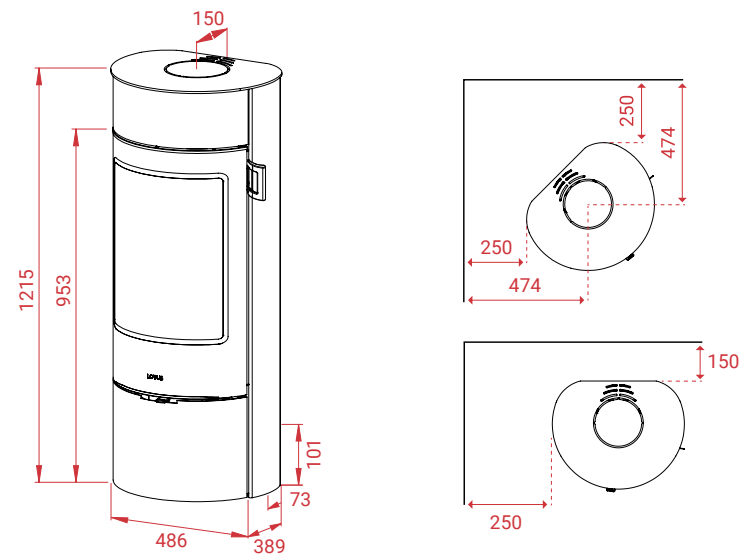


- 190 kg
- 12 Pa
- 4 kW
- 3-6 kW
- 20 - 80 m²

- Mg/M³ 23
- 0,9 kg
- 81%

 **LOTUS**
QUALITY FIRST

Prestige Magic 40 Limestone



Other models in the series:

Prestige Magic 40
Prestige Magic 40 Soapstone

Stove only in black

 **LOTUS**
QUALITY FIRST

LOTUS HEATING SYSTEMS AS

Tlf. +45 6323 7070

www.lotusstoves.com






Email info@lotusstoves.com

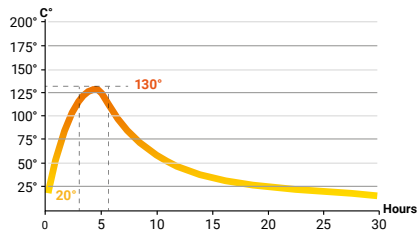
Prestige S

A+

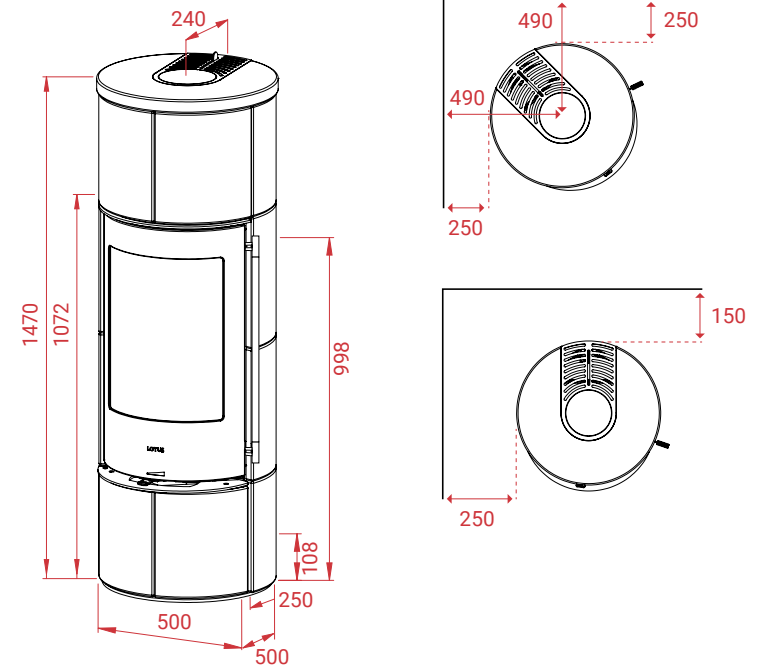
10 years Guarantee



-  343 kg
-  12 Pa
-  5 kW
-  3-7 kW
-  30 - 120 m²



Prestige S



Other models in the series:

- Prestige Magic 40
 - Prestige Integra
- Stove only in grey.**

Accessories:

- Optional handles
- Soapstone top plate
- Extra stones for rear exhaustion
- Shaped glass floor plate
- Universal glass floor plate black

See the stoves online:



 **LOTUS**
QUALITY FIRST

 **LOTUS**
QUALITY FIRST

LOTUS HEATING SYSTEMS AS

Tlf. +45 6323 7070

www.lotusstoves.com

Email info@lotusstoves.com