

Mira 3

A

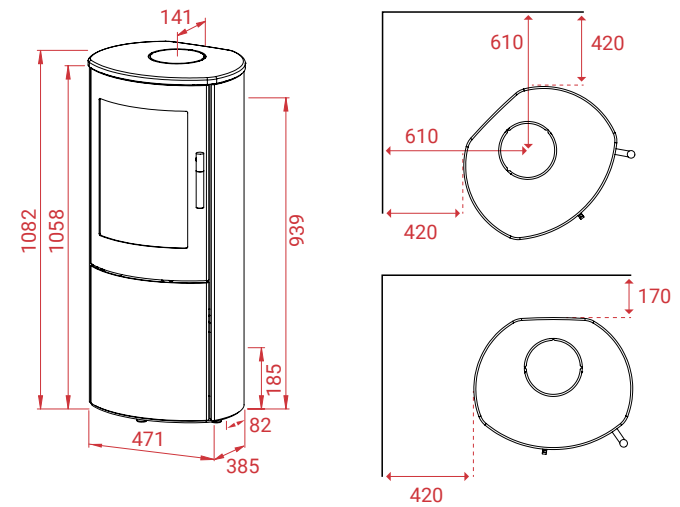


- 117 kg
- 12 Pa
- 5 kW
- 3-7 kW
- 30 - 120 m²

- Mg/M³** 27
- 1,7 kg
- 78%



Mira 3



Other models in the series:

Mira 4

Stove only in black

Accessories:

- Soapstone topplate
- Shaped glass floor plate
- Universal glass floor plate black

See the stoves online:



LOTUS HEATING SYSTEMS AS

Tlf. +45 6323 7070

www.lotusstoves.com

Email info@lotusstoves.com

Mira 4

A



- 117 kg
- 12 Pa
- 5 kW
- 3-7 kW
- 30 - 120 m²

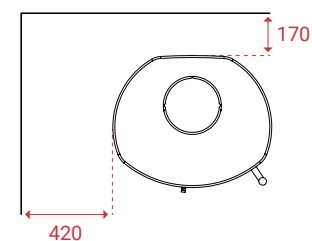
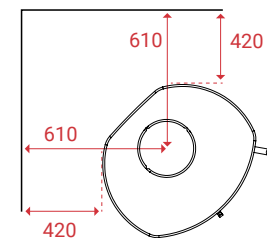
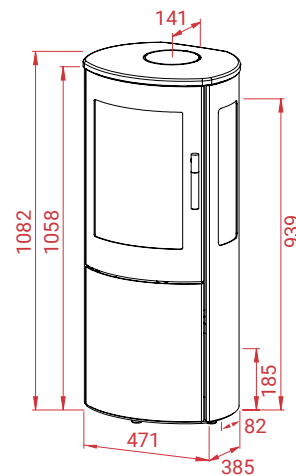
Mg/M³ 27

1,7 kg

78%

LOTUS
QUALITY FIRST

Mira 4



Other models in the series:

Mira 3

Stove only in black

Accessories:

- Soapstone topplate
- Shaped glass floor plate
- Universal glass floor plate black

See the stoves online:



LOTUS
QUALITY FIRST

LOTUS HEATING SYSTEMS AS

Tlf. +45 6323 7070

www.lotusstoves.com

Email info@lotusstoves.com