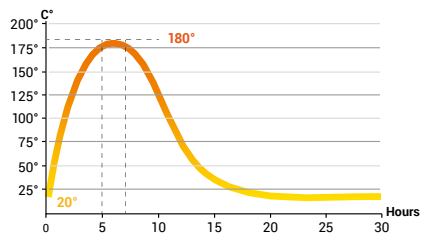


# M1 Soapstone

A+



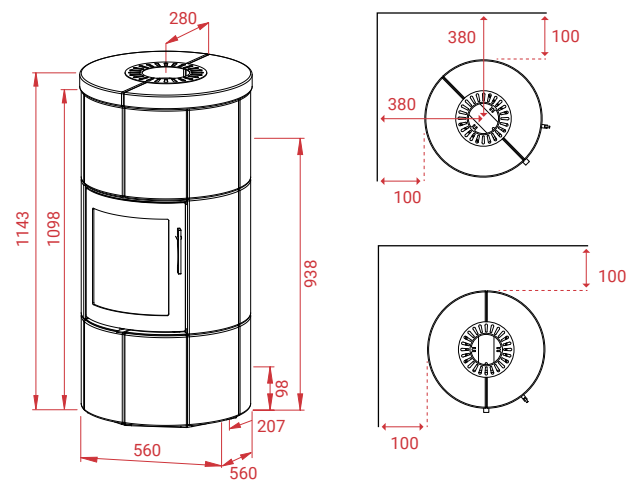
- 435 kg
- 12 Pa
- 6 kW
- 4-10 kW
- 30 - 120 m<sup>2</sup>



- Mg/M<sup>3</sup>** 24
- 1,8 kg
- 82%



# M1 Soapstone



### Other models in the series:

- M2
- M2 ST
- M3

All stoves in black or grey.

### Accessories:

- Extra stones for rear exhaustion
- Shaped glass floor plate
- Universal glass floor plate black

See the stoves online:



LOTUS HEATING SYSTEMS AS

Tlf. +45 6323 7070

www.lotusstoves.com

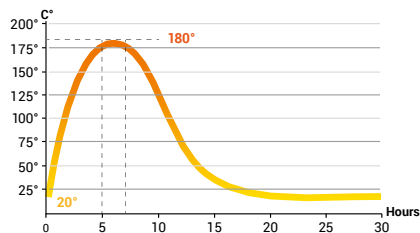
Email info@lotusstoves.com

# M1 Indian Night

A+



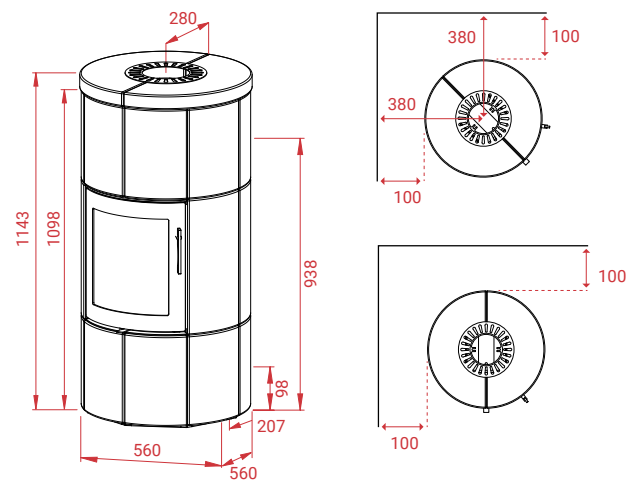
- 435 kg
- 12 Pa
- 6 kW
- 4-10 kW
- 30 - 120 m<sup>2</sup>



- Mg/M<sup>3</sup>** 24
- 1,8 kg
- 82%



# M1 Indian Night



### Other models in the series:

- M2
- M2 ST
- M3

All stoves in black or grey.

### Accessories:

- Extra stones for rear exhaustion
- Shaped glass floor plate
- Universal glass floor plate black

See the stoves online:



LOTUS HEATING SYSTEMS AS

Tlf. +45 6323 7070

www.lotusstoves.com

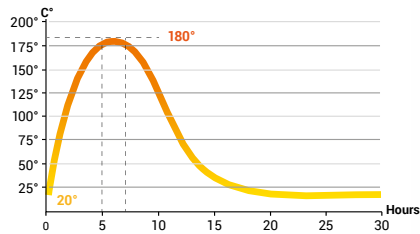
Email info@lotusstoves.com

# M1 Sand

A+



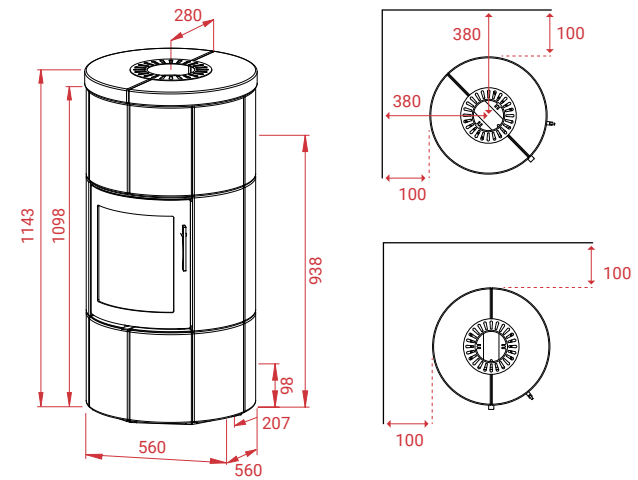
- 392 kg
- 12 Pa
- 6 kW
- 4-10 kW
- 30 - 120 m<sup>2</sup>



- Mg/M<sup>3</sup>** 24
- 1,8 kg
- 82%



# M1 Sand



**Other models in the series:**

- M2
- M2 ST
- M3

**All stoves in black or grey.**

**Accessories:**

- Extra stones for rear exhaustion
- Shaped glass floor plate
- Universal glass floor plate black

See the stoves online:



**LOTUS HEATING SYSTEMS AS**

Tlf. +45 6323 7070

www.lotusstoves.com

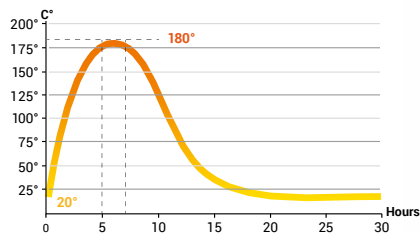
Email info@lotusstoves.com

# M2 Soapstone

A+



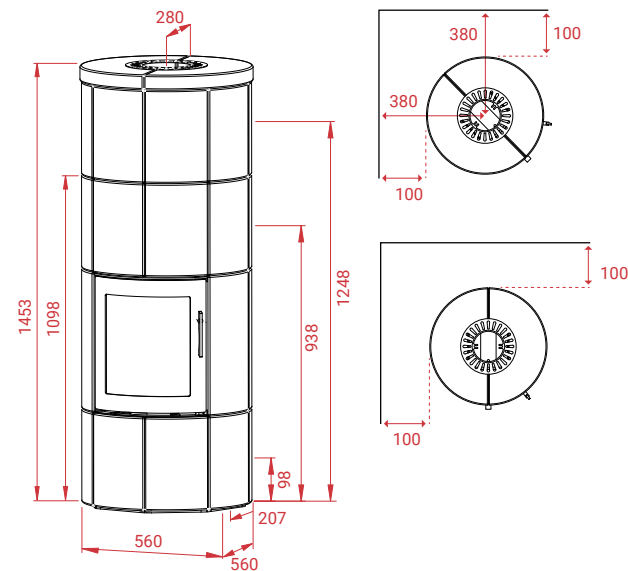
- 545 kg
- 12 Pa
- 6 kW
- 4-10 kW
- 30 - 120 m<sup>2</sup>



- Mg/M<sup>3</sup>** 24
- 1,8 kg
- 82%



# M2 Soapstone



- Sand
- Indian Night
- Steel

### Other models in the series:

- M1
- M2 ST
- M3

All stoves in black or grey.

### Accessories:

- Heat storage stone 48 kg
- Extra stones for rear exhaustion
- M9 - Baking section
- Shaped glass floor plate
- Universal glass floor plate black

See the stoves online:



LOTUS HEATING SYSTEMS AS

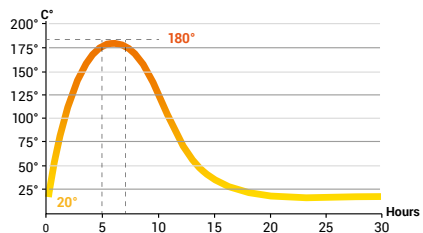
Tlf. +45 6323 7070  
 www.lotusstoves.com  
 Email info@lotusstoves.com

# M2 Indian Night

A+



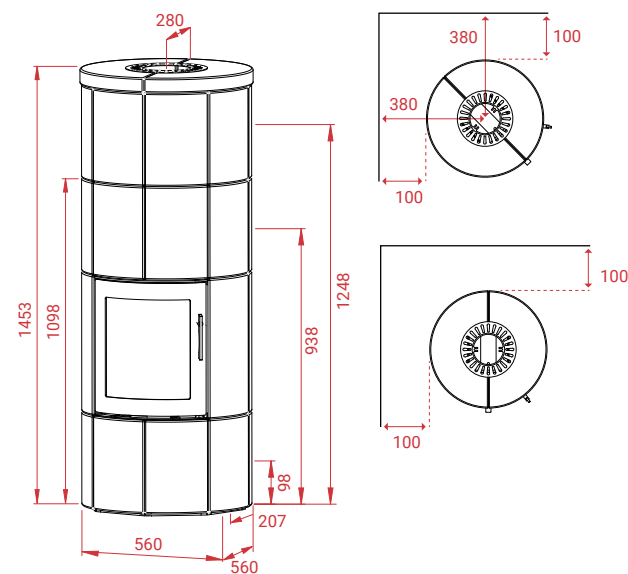
- 545 kg
- 12 Pa
- 6 kW
- 4-10 kW
- 30 - 120 m<sup>2</sup>



- Mg/M<sup>3</sup>** 24
- 1,8 kg
- 82%



# M2 Indian Night



- Sand
- Indian Night
- Steel

### Other models in the series:

- M1
- M2 ST
- M3

All stoves in black or grey.

### Accessories:

- Heat storage stone 48 kg
- Extra stones for rear exhaustion
- M9 - Baking section
- Shaped glass floor plate
- Universal glass floor plate black

See the stoves online:



LOTUS HEATING SYSTEMS AS

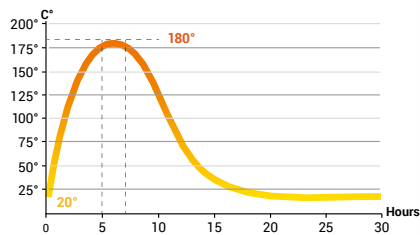
Tlf. +45 6323 7070  
 www.lotusstoves.com  
 Email info@lotusstoves.com

# M2 Sand

A+



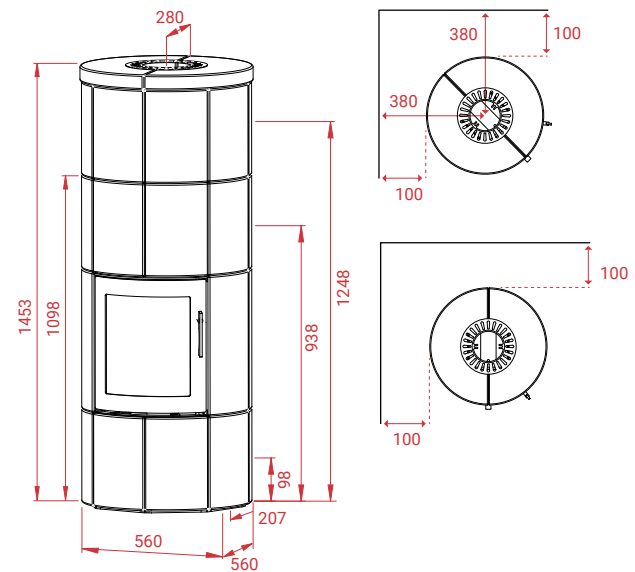
- 487 kg
- 12 Pa
- 6 kW
- 4-10 kW
- 30 - 120 m<sup>2</sup>



- Mg/M<sup>3</sup>** 24
- 1,8 kg
- 82%



# M2 Sand



- Sand
- Indian Night
- Steel

### Other models in the series:

- M1
- M2 ST
- M3

All stoves in black or grey.

### Accessories:

- Heat storage stone 48 kg
- Extra stones for rear exhaustion
- M9 - Baking section
- Shaped glass floor plate
- Universal glass floor plate black

See the stoves online:



LOTUS HEATING SYSTEMS AS

Tlf. +45 6323 7070  
 www.lotusstoves.com  
 Email info@lotusstoves.com

# M2 ST

A+



- kg 485 kg
- ↑ 12 Pa
- 🔥 6 kW
- 🔄 4-10 kW
- 🏠 30 - 120 m<sup>2</sup>

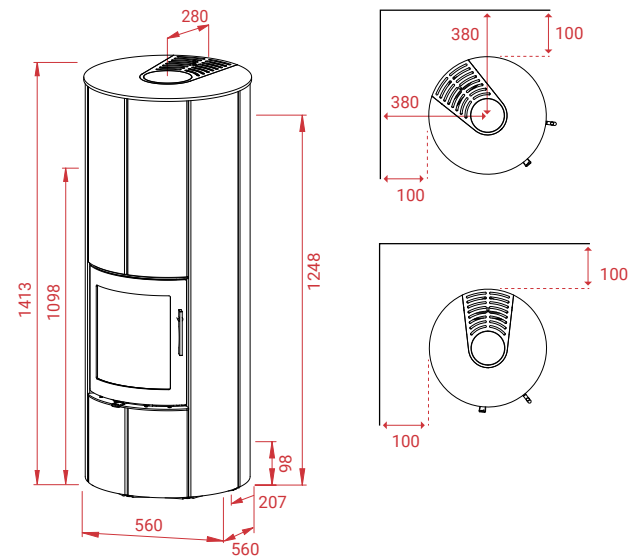
Mg/M<sup>3</sup> 24

🕒 1,8 kg

📊 82%



# M2 ST



### Other models in the series:

- M1
- M2
- M3

All stoves in black or grey.

### Accessories:

- Heat storage stone 48 kg
- Shaped glass floor plate
- Universal glass floor plate black

See the stoves online:



LOTUS HEATING SYSTEMS AS

Tlf. +45 6323 7070

www.lotusstoves.com

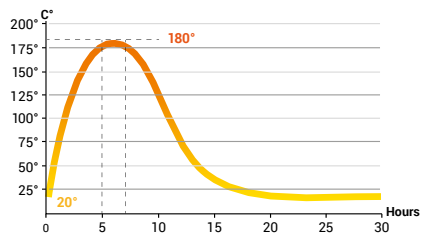
Email info@lotusstoves.com

# M3 Soapstone

A+



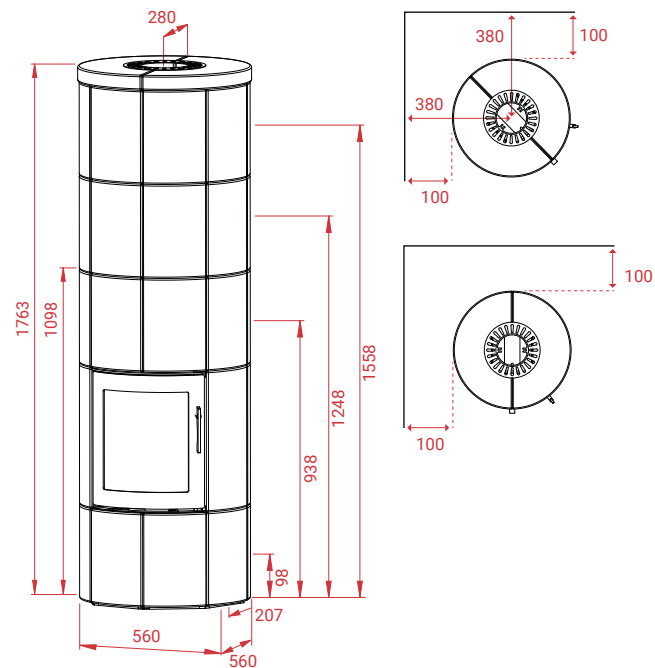
- 655 kg
- 12 Pa
- 6 kW
- 4-10 kW
- 30 - 120 m<sup>2</sup>



- Mg/M<sup>3</sup>** 24
- 1,8 kg
- 82%



# M3 Soapstone



### Other models in the series:

- M1
- M2
- M2 ST

All stoves in black or grey.

### Accessories:

- Heat storage stone 48 kg
- Extra stones for rear exhaustion
- M9 - Baking section
- Shaped glass floor plate
- Universal glass floor plate black

See the stoves online:



LOTUS HEATING SYSTEMS AS

Tlf. +45 6323 7070  
 www.lotusstoves.com  
 Email info@lotusstoves.com



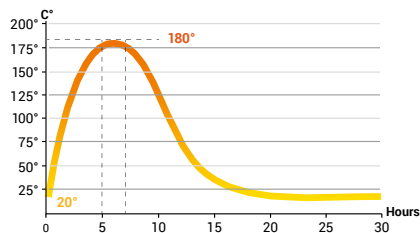


# M3 Indian Night

A+



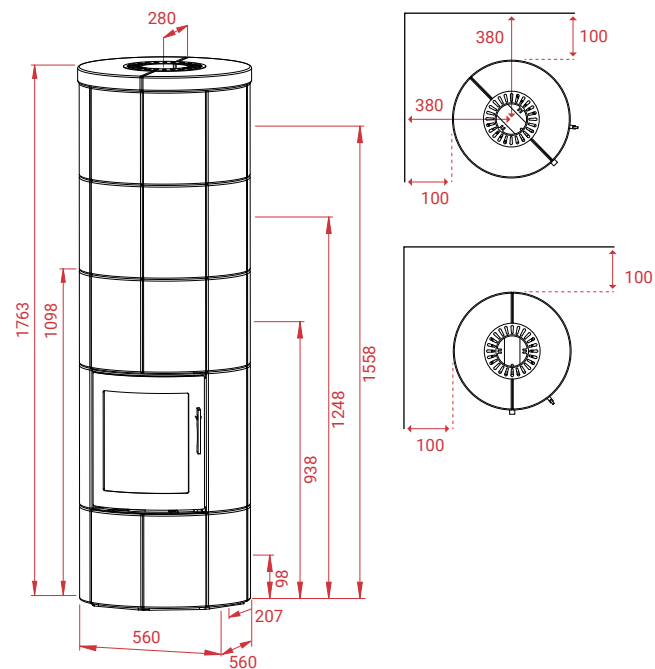
- 655 kg
- 12 Pa
- 6 kW
- 4-10 kW
- 30 - 120 m<sup>2</sup>



- Mg/M<sup>3</sup>** 24
- 1,8 kg
- 82%



# M3 Indian Night



### Other models in the series:

- M1
  - M2
  - M2 ST
- All stoves in black or grey.**

### Accessories:

- Heat storage stone 48 kg
- Extra stones for rear exhaustion
- M9 - Baking section
- Shaped glass floor plate
- Universal glass floor plate black

See the stoves online:



**LOTUS HEATING SYSTEMS AS**

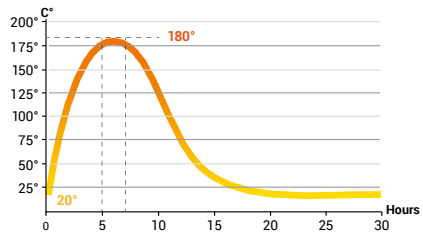
Tlf. +45 6323 7070  
 www.lotusstoves.com  
 Email info@lotusstoves.com

# M3 Sand

A+



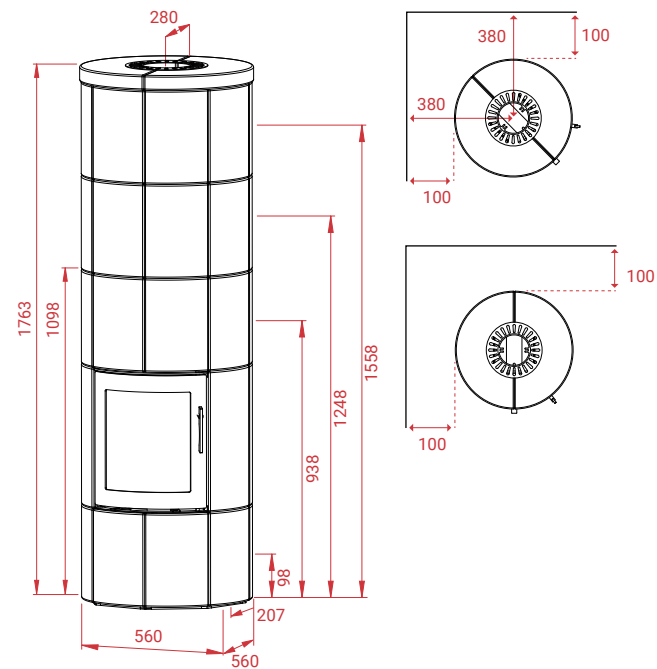
- 583 kg
- 12 Pa
- 6 kW
- 4-10 kW
- 30 - 120 m<sup>2</sup>



- Mg/M<sup>3</sup>** 24
- 1,8 kg
- 82%



# M3 Sand



### Other models in the series:

- M1
- M2
- M2 ST
- M4

All stoves in black or grey.

### Accessories:

- Heat storage stone 48 kg
- Extra stones for rear exhaustion
- M9 - Baking section
- Shaped glass floor plate
- Universal glass floor plate black

See the stoves online:



LOTUS HEATING SYSTEMS AS

Tlf. +45 6323 7070  
 www.lotusstoves.com  
 Email info@lotusstoves.com

# M-Basic

A+

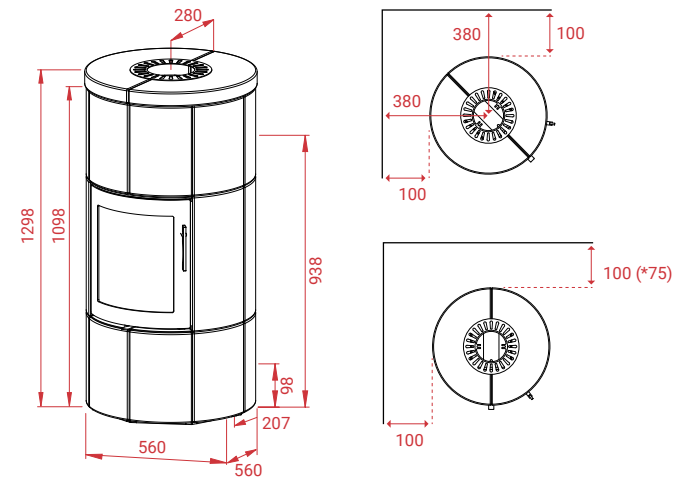


- 431 kg
- 12 Pa
- 6 kW
- 4-10 kW
- 30 - 120 m<sup>2</sup>

- Mg/M<sup>3</sup>** 24
- 1,8 kg
- 82%



# M-Basic



### Other models in the series:

- M1
- M2
- M3

All stoves in black or grey.

### Accessories:

- Heat storage stone 48 kg
- Shaped glass floor plate
- Universal glass floor plate black

See the stoves online:



LOTUS HEATING SYSTEMS AS

Tlf. +45 6323 7070

www.lotusstoves.com

Email info@lotusstoves.com