

H370 Petite

A

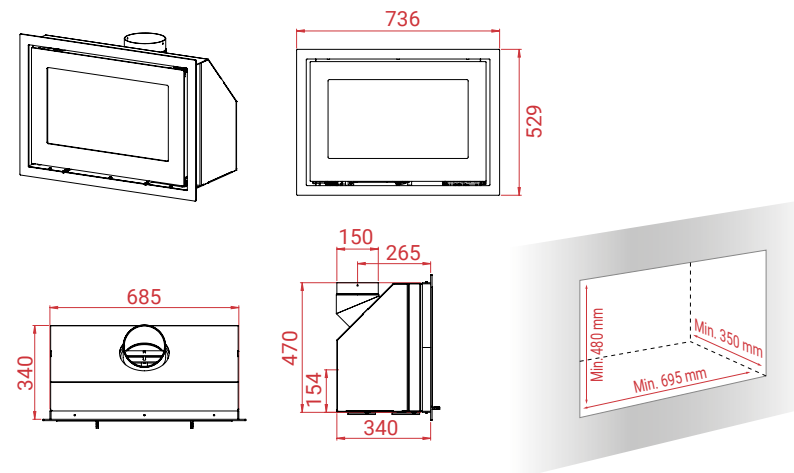


- 87 kg
- 12 Pa
- 5,8 kW
- 3-7 kW
- 30 - 110 m²

- Mg/M³ 28
- 1,5 kg
- 77%



H370 Petite



Other models in the series:

- H370 Petite Black Magic
- H370 Petite R
- All inserts in black or grey.**

Accessories:

- Plane special frame
- Special frame w. bend, black
- Outside Air pipe - Straight
- Outside Air pipe - with 90° bending

See the stoves online:



LOTUS HEATING SYSTEMS AS

Tlf. +45 6323 7070






www.lotusstoves.com

Email info@lotusstoves.com




H370 Petite Black Magic A

10
years
Guarantee



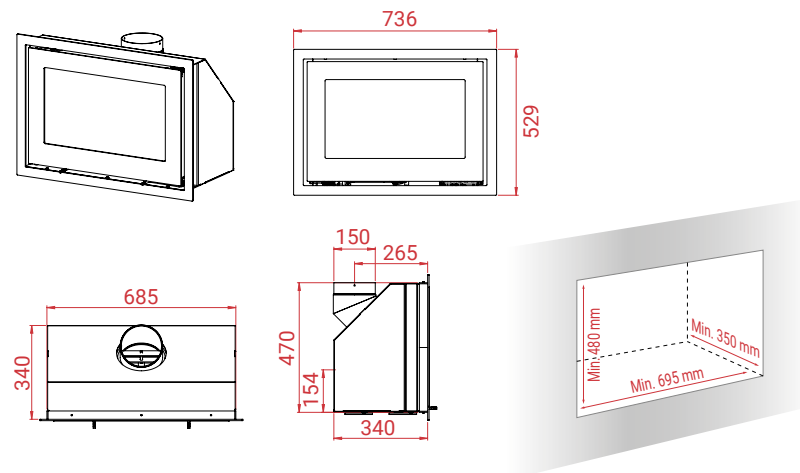
-  87 kg
-  12 Pa
-  5,8 kW
-  3-7 kW
-  30 - 110 m²



-  Mg/M³ 28
-  1,5 kg
-  77%

 **LOTUS**
QUALITY FIRST

H370 Petite Black Magic



Other models in the series:

H370 Petite
H370 Petite R

Accessories:

Plane special frame
Special frame w. bend, black
Outside Air pipe - Straight
Outside Air pipe - with 90° bending

See the stoves online:



 **LOTUS**
QUALITY FIRST

LOTUS HEATING SYSTEMS AS

Tlf. +45 6323 7070

www.lotusstoves.com

Email info@lotusstoves.com

H370 Petite R

A

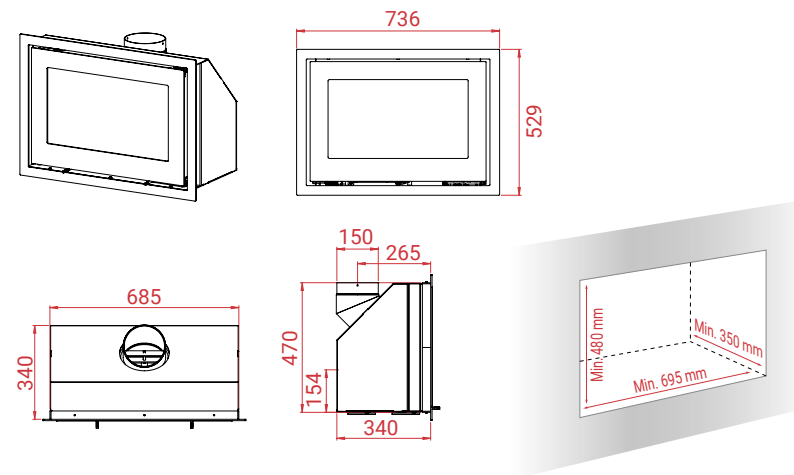


- 87 kg
- 12 Pa
- 5,8 kW
- 3-7 kW
- 30 - 110 m²

- Mg/M³ 28
- 1,5 kg
- 77%



H370 Petite R



Other models in the series:

- H370 Petite
- H370 Petite Black Magic

Accessories:

- Plane special frame
- Special frame w. bend, black
- Outside Air pipe - Straight
- Outside Air pipe - with 90° bending

See the stoves online:



LOTUS HEATING SYSTEMS AS

Tlf. +45 6323 7070

www.lotusstoves.com

Email info@lotusstoves.com

H470

A+

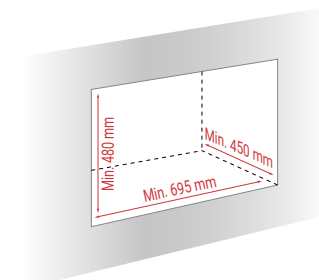
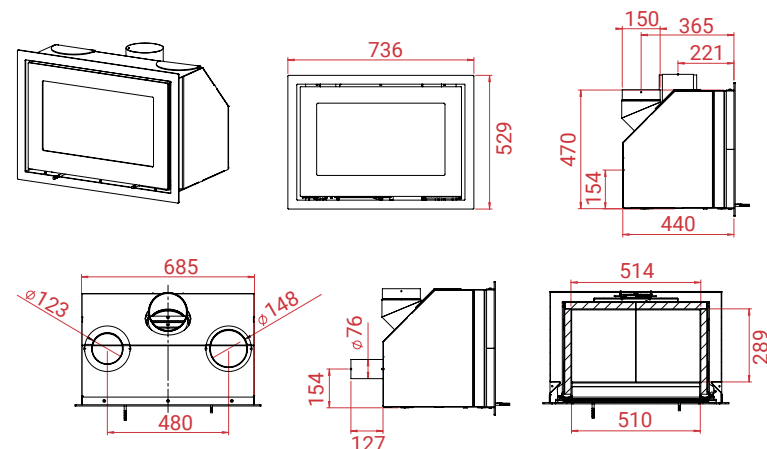


- 95 kg
- 12 Pa
- 6 kW
- 3-7 kW
- 30 - 120 m²

- Mg/M³ 18
- 1,7 kg
- 84%



H470



See the stoves online:



Other models in the series:

- H470 Black Magic
- H470 R
- H470 Air

All inserts in black or grey.

Accessories:

- Plane special frame
- Special frame w. bend, black
- Outside Air pipe - Straight
- Outside Air pipe - with 90° bending
- Outside Air pipe - bottom connection
- Connection pieces for convection air ducts ø150 mm
- H-Base



LOTUS HEATING SYSTEMS AS

Tlf. +45 6323 7070

www.lotusstoves.com






Email info@lotusstoves.com

H470 Black Magic


A+

10
years
Guarantee



-  95 kg
-  12 Pa
-  6 kW
-  3-7 kW
-  30 - 120 m²

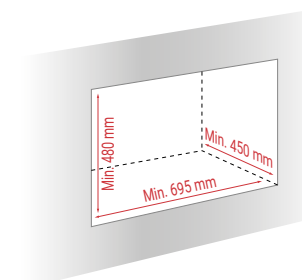
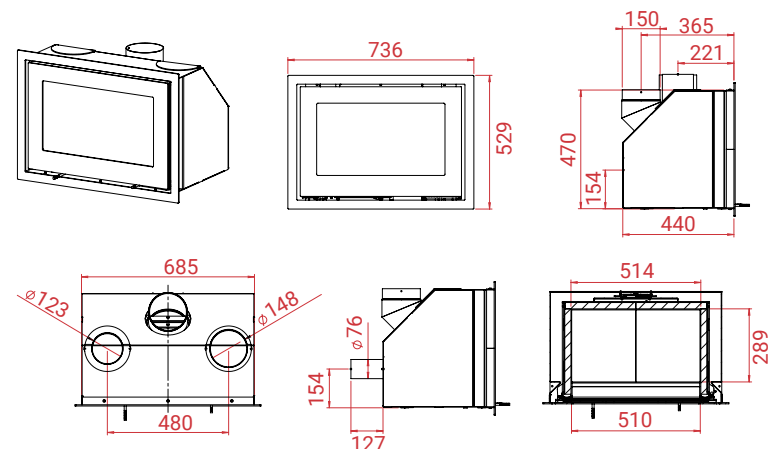
Mg/M³ 18

 1,7 kg

 84%

 **LOTUS**
QUALITY FIRST

H470 Black Magic



Other models in the series:

H470
H470 R
H470 Air

Accessories:

Plane special frame
Special frame w. bend, black
Outside Air pipe - Straight
Outside Air pipe - with 90° bending
Outside Air pipe - bottom connection
Connection pieces for convection
air ducts ø150 mm
H-Base

See the stoves online:



 **LOTUS**
QUALITY FIRST

LOTUS HEATING SYSTEMS AS

Tlf. +45 6323 7070

www.lotusstoves.com

Email info@lotusstoves.com

H470 R

A+



- 95 kg
- 12 Pa
- 6 kW
- 3-7 kW
- 30 - 120 m²

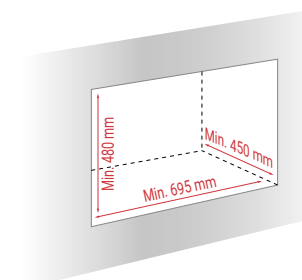
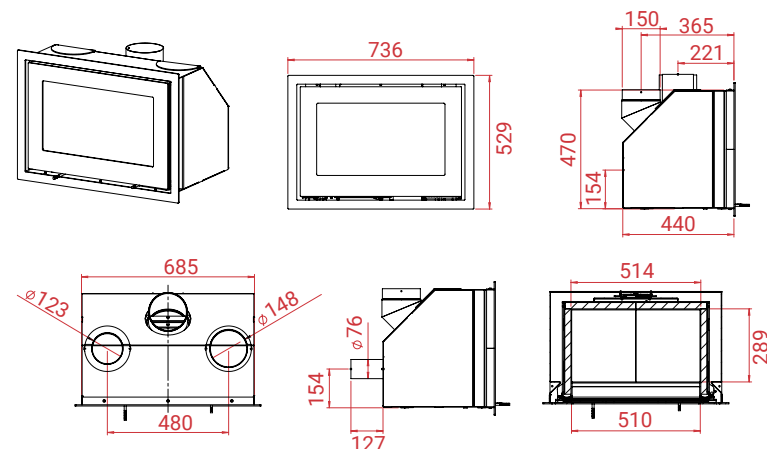
Mg/M³ 18

1,7 kg

84%



H470 R



See the stoves online:



Other models in the series:

- H470
- H470 Black Magic
- H470 Air

Accessories:

- Plane special frame
- Special frame w. bend, black
- Outside Air pipe - Straight
- Outside Air pipe - with 90° bending
- Outside Air pipe - bottom connection
- Connection pieces for convection air ducts $\phi 150$ mm
- H-Base



LOTUS HEATING SYSTEMS AS

Tlf. +45 6323 7070

www.lotusstoves.com

Email info@lotusstoves.com

H470 Air

A+

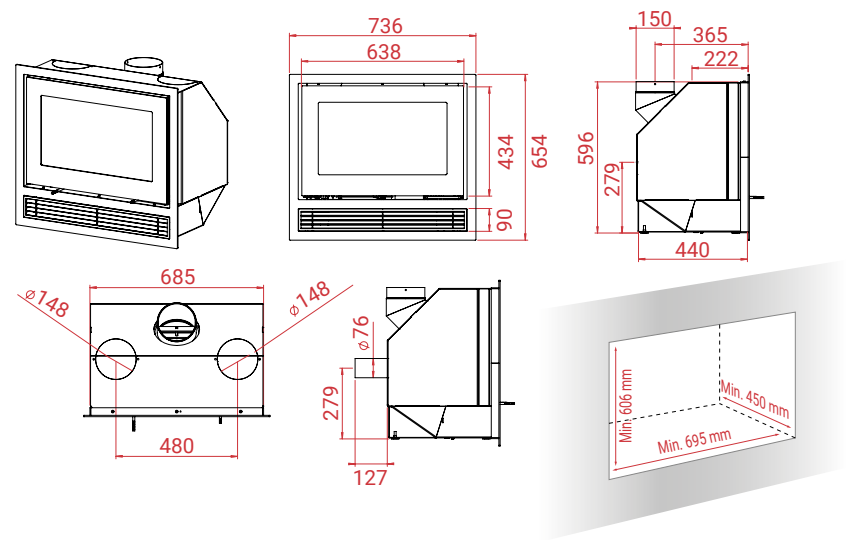


- 107 kg
- 12 Pa
- 6 kW
- 3-9 kW
- 40 - 140 m²

- Mg/M³ 18
- 1,7 kg
- 84%



H470 Air



See the stoves online:



Other models in the series:
H470
H470 Black Magic
H470 R
All inserts in black or grey.

Accessories:
Outside Air pipe - Straight
Outside Air pipe - with 90° bending
Connection pieces for convection air ducts ø150 mm



LOTUS HEATING SYSTEMS AS
Tlf. +45 6323 7070
www.lotusstoves.com
Email info@lotusstoves.com

H470 W

A+

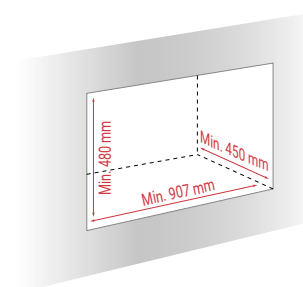
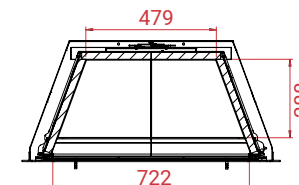
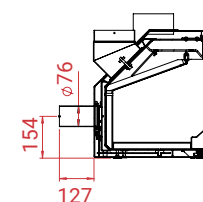
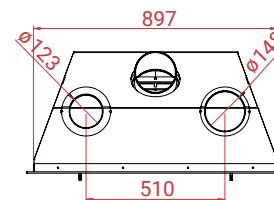
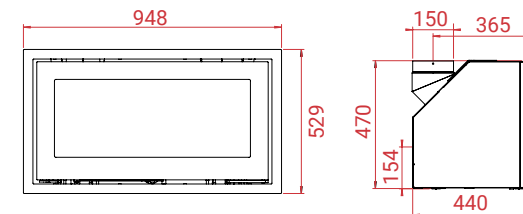
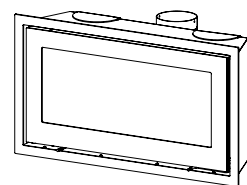


- 120 kg
- 12 Pa
- 7 kW
- 3-10 kW
- 40 - 170 m²

- Mg/M³ 19
- 2/2,5 kg
- 80,5%



H470 W



See the stoves online:



Other models in the series:

- H470 W Black Magic
- H470 W R
- H470 W Air

All inserts in black or grey.

Accessories:

- Plane special frame
- Special frame w. bend, black
- Outside Air pipe - Straight
- Outside Air pipe - with 90° bending
- Outside Air pipe - bottom connection
- Connection pieces for convection air ducts ø150 mm
- H-Base



LOTUS HEATING SYSTEMS AS

Tlf. +45 6323 7070

www.lotusstoves.com

Email info@lotusstoves.com

H470 W Black Magic

A+

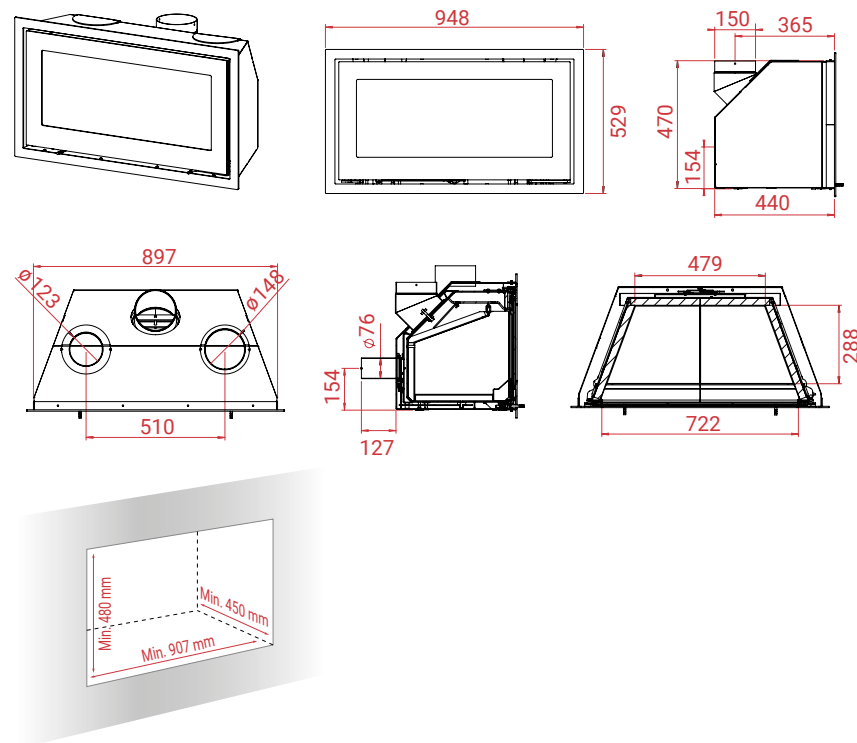


- 120 kg
- 12 Pa
- 7 kW
- 3-10 kW
- 40 - 170 m²

- Mg/M³** 19
- 2/2,5 kg
- 80,5%



H470 W Black Magic



See the stoves online:



Other models in the series:

- H470 W
- H470 W R
- H470 W Air

Accessories:

- Plane special frame
- Special frame w. bend, black
- Outside Air pipe - Straight
- Outside Air pipe - with 90° bending
- Outside Air pipe - bottom connection
- Connection pieces for convection air ducts $\phi 150$ mm
- H-Base



LOTUS HEATING SYSTEMS AS

Tlf. +45 6323 7070
www.lotusstoves.com
 Email info@lotusstoves.com

H470 W R

A+

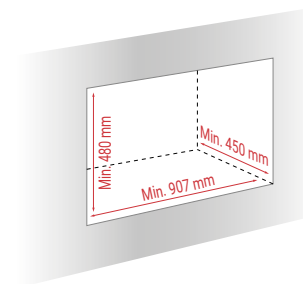
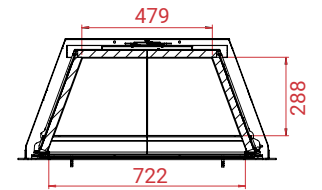
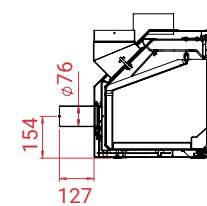
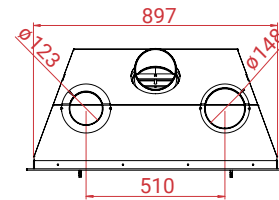
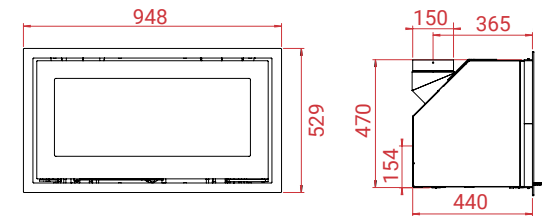
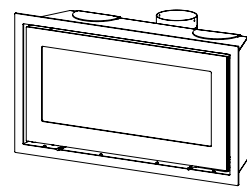


- 120 kg
- 12 Pa
- 7 kW
- 3-10 kW
- 40 - 170 m²

- Mg/M³ 19
- 2/2,5 kg
- 80,5%



H470 W R



See the stoves online:



Other models in the series:

- H470 W
- H470 W Black Magic
- H470 W Air

Accessories:

- Plane special frame
- Special frame w. bend, black
- Outside Air pipe - Straight
- Outside Air pipe - with 90° bending
- Outside Air pipe - bottom connection
- Connection pieces for convection air ducts ø150 mm
- H-Base



LOTUS HEATING SYSTEMS AS

Tlf. +45 6323 7070

www.lotusstoves.com

Email info@lotusstoves.com

H470 W Air

A+

10
years
Guarantee

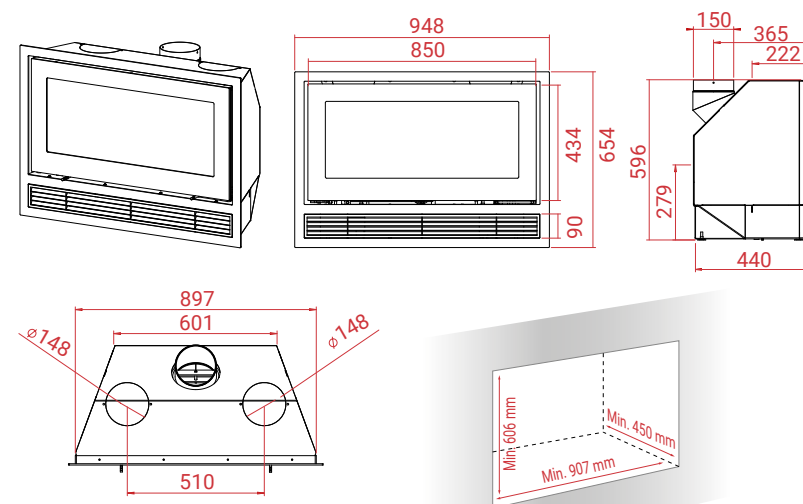


- 135 kg
- 12 Pa
- 7 kW
- 3-10 kW
- 40 - 190 m²

- Mg/M³ 19
- 2/2,5 kg
- 80,5%

 **LOTUS**
QUALITY FIRST

H470 W Air



See the stoves online:



Other models in the series:

H470 W
H470 W Black Magic
H470 W R
All inserts in black or grey.

Accessories:

Outside Air pipe - Straight
Outside Air pipe - with 90° bending
Connection pieces for convection
air ducts $\phi 150$ mm

 **LOTUS**
QUALITY FIRST

LOTUS HEATING SYSTEMS AS

Tlf. +45 6323 7070

www.lotusstoves.com

Email info@lotusstoves.com

H570

A+

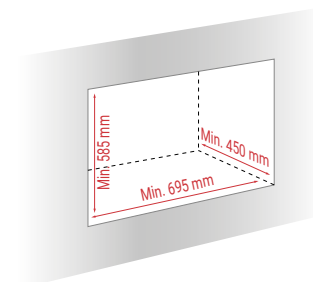
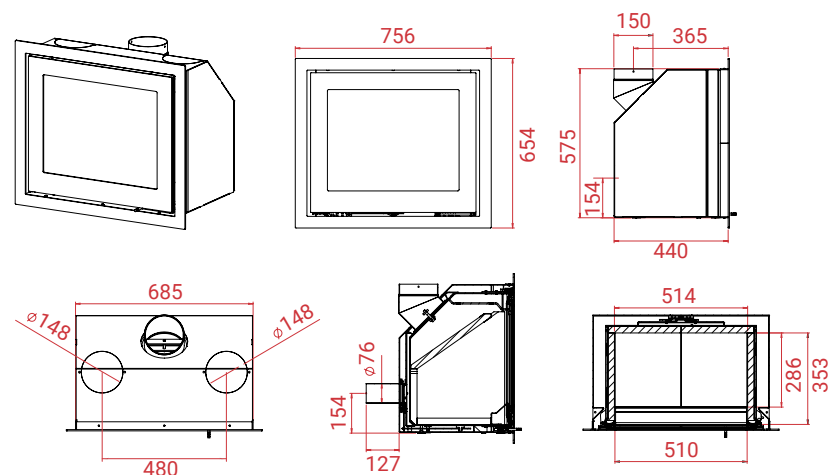


- 111 kg
- 12 Pa
- 6 kW
- 3-8 kW
- 30 - 130 m²

- Mg/M³** 18
- 1,8 kg
- 84%



H570



Other models in the series:

- H570 Black Magic
- H570 R
- H570 Air

All inserts in black or grey.

Accessories:

- Plane special frame
- Special frame w. bend, black
- Outside Air pipe - Straight
- Outside Air pipe - with 90° bending
- Outside Air pipe - bottom connection
- Connection pieces for convection air ducts $\phi 150$ mm
- H-Base

See the stoves online:



LOTUS HEATING SYSTEMS AS

Tlf. +45 6323 7070

www.lotusstoves.com

Email info@lotusstoves.com

H570 Black Magic

A+

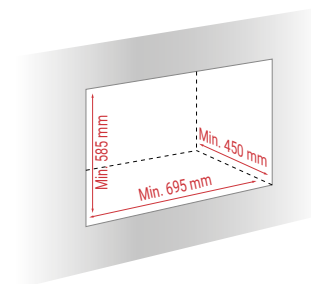
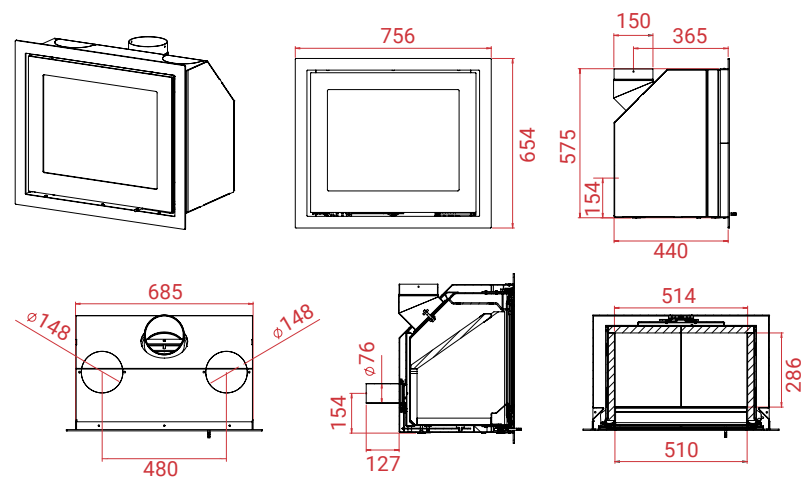


- 111 kg
- 12 Pa
- 6 kW
- 3-8 kW
- 30 - 130 m²

- Mg/M³** 18
- 1,8 kg
- 84%



H570 Black Magic



Other models in the series:

- H570
- H570 R
- H570 Air

Accessories:

- Plane special frame
- Special frame w. bend, black
- Outside Air pipe - Straight
- Outside Air pipe - with 90° bending
- Outside Air pipe - bottom connection
- Connection pieces for convection air ducts $\phi 150$ mm
- H-Base

See the stoves online:



LOTUS HEATING SYSTEMS AS

Tlf. +45 6323 7070

www.lotusstoves.com

Email info@lotusstoves.com

H570 R

A+

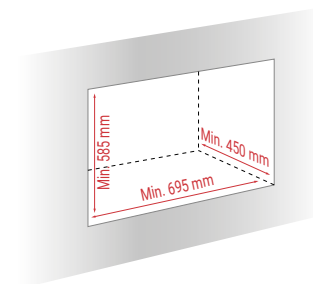
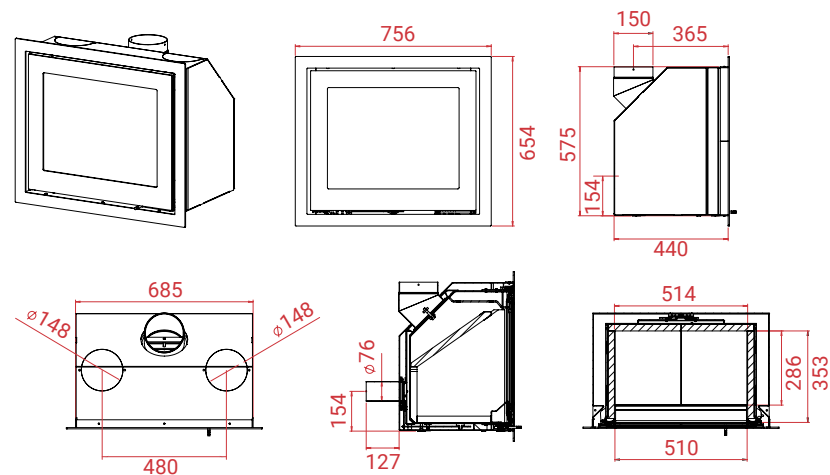


- 111 kg
- 12 Pa
- 6 kW
- 3-8 kW
- 30 - 130 m²

- Mg/M³ 18
- 1,8 kg
- 84%



H570 R



Other models in the series:

- H570
- H570 Black Magic
- H570 Air

Accessories:

- Plane special frame
- Special frame w. bend, black
- Outside Air pipe - Straight
- Outside Air pipe - with 90° bending
- Outside Air pipe - bottom connection
- Connection pieces for convection air ducts $\phi 150$ mm
- H-Base

See the stoves online:



LOTUS HEATING SYSTEMS AS

Tlf. +45 6323 7070

www.lotusstoves.com

Email info@lotusstoves.com

H570 Air

A+

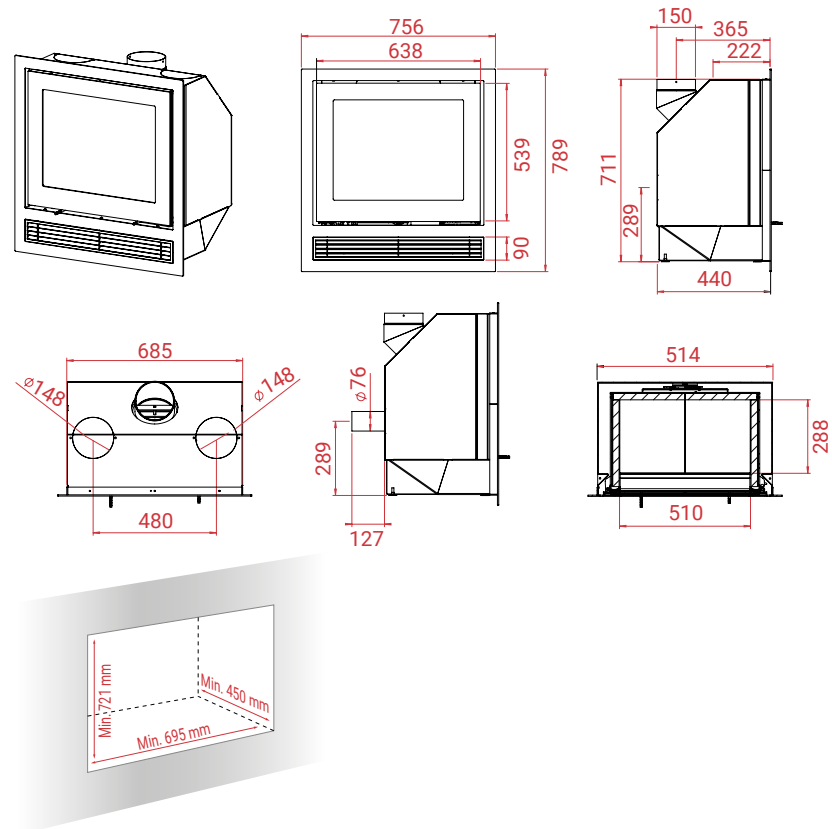


- 124 kg
- 12 Pa
- 6 kW
- 3-9 kW
- 40 - 150 m²

- Mg/M³ 18
- 1,8 kg
- 84%



H570 Air



See the stoves online:



Other models in the series:

- H570
- H570 Black Magic
- H570 R
- All inserts in black or grey.**

Accessories:

- Outside Air pipe - Straight
- Outside Air pipe - with 90° bending
- Connection pieces for convection air ducts ø150 mm



LOTUS HEATING SYSTEMS AS

Tlf. +45 6323 7070

www.lotusstoves.com

Email info@lotusstoves.com

H570 T

A+



- 155 kg
- 12 Pa
- 6 kW
- 4-9 kW
- 30 - 130 m²

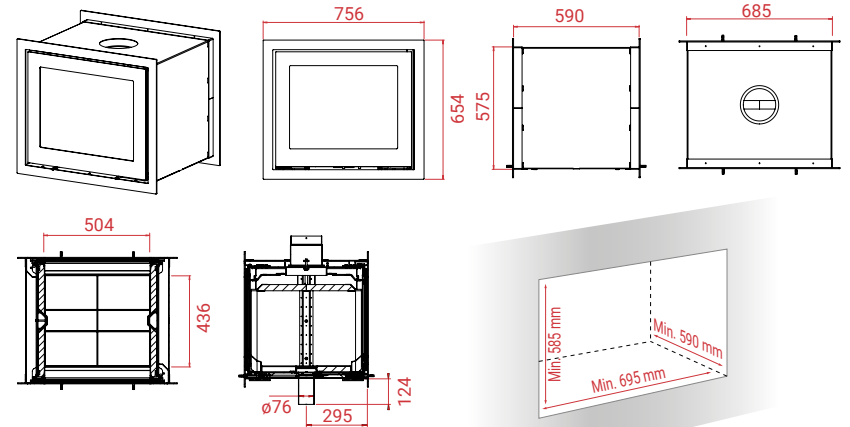
Mg/M³ 29

2 kg

80,5%



H570 T



See the stoves online:



Other models in the series:

- H570 T Black Magic
- H570 T R

All inserts in black or grey.

Accessories:

- Plane special frame
- Special frame w. bend, black



LOTUS HEATING SYSTEMS AS

Tlf. +45 6323 7070

www.lotusstoves.com

Email info@lotusstoves.com

H570 T Black Magic

A+



- 155 kg
- 12 Pa
- 6 kW
- 4-9 kW
- 30 - 130 m²

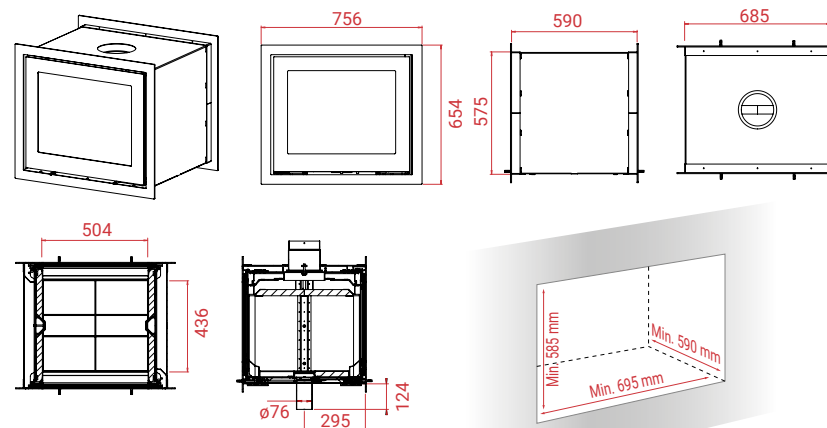
Mg/M³ 29

2 kg

80,5%



H570 T Black Magic



Other models in the series:

H570 T
H570 T R

Accessories:

Plane special frame
Special frame w. bend, black

See the stoves online:



LOTUS HEATING SYSTEMS AS

Tlf. +45 6323 7070

www.lotusstoves.com

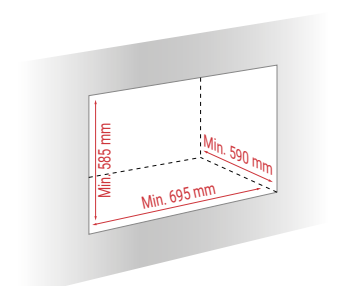
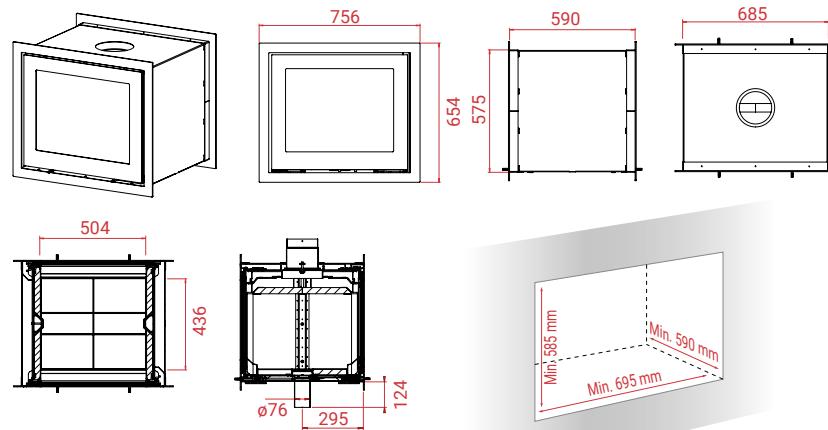
Email info@lotusstoves.com

H570 T R

A+



H570 T R



- 155 kg
- 12 Pa
- 6 kW
- 4-9 kW
- 30 - 130 m²

Mg/M³ 29

2 kg

80,5%



Other models in the series:

- H570 T
- H570 T Black Magic

Accessories:

- Plane special frame
- Special frame w. bend, black

See the stoves online:



LOTUS HEATING SYSTEMS AS

Tlf. +45 6323 7070

www.lotusstoves.com

Email info@lotusstoves.com

H570 W

A+



- 154 kg
- 12 Pa
- 7 kW
- 4-11 kW
- 45 - 190 m²

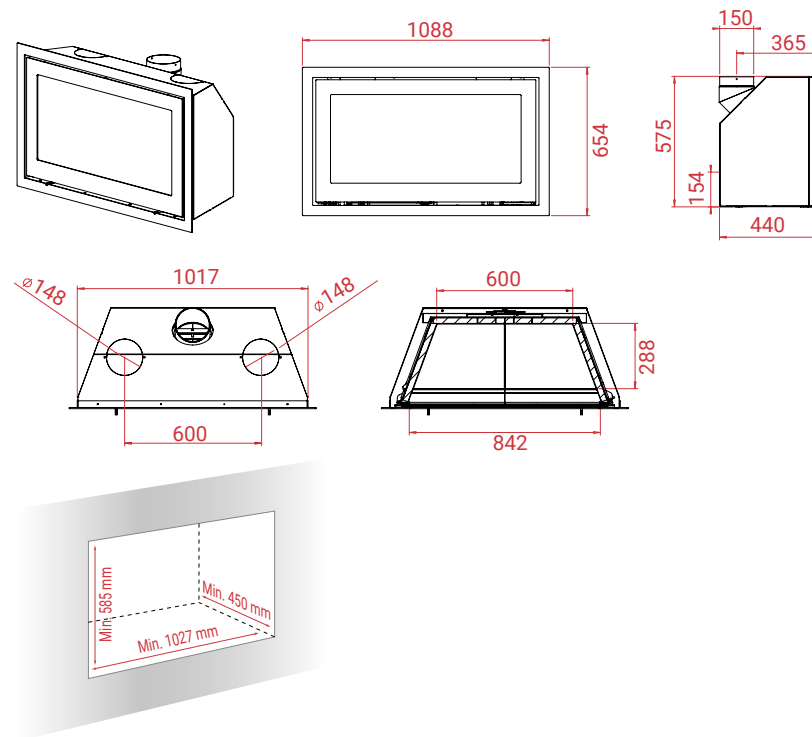
Mg/M³ 19

2 kg

80,5%



H570 W



See the stoves online:



Other models in the series:

- H570 W R
- H570 W Black Magic
- H570 W Air

All inserts in black or grey.

Accessories:

- Plane special frame
- Special frame w. bend, black
- Outside Air pipe - Straight
- Outside Air pipe - with 90° bending
- Outside Air pipe - bottom connection
- Connection pieces for convection air ducts $\phi 150$ mm
- H-Base



LOTUS HEATING SYSTEMS AS

Tlf. +45 6323 7070

www.lotusstoves.com

Email info@lotusstoves.com

H570 W Black Magic

A+

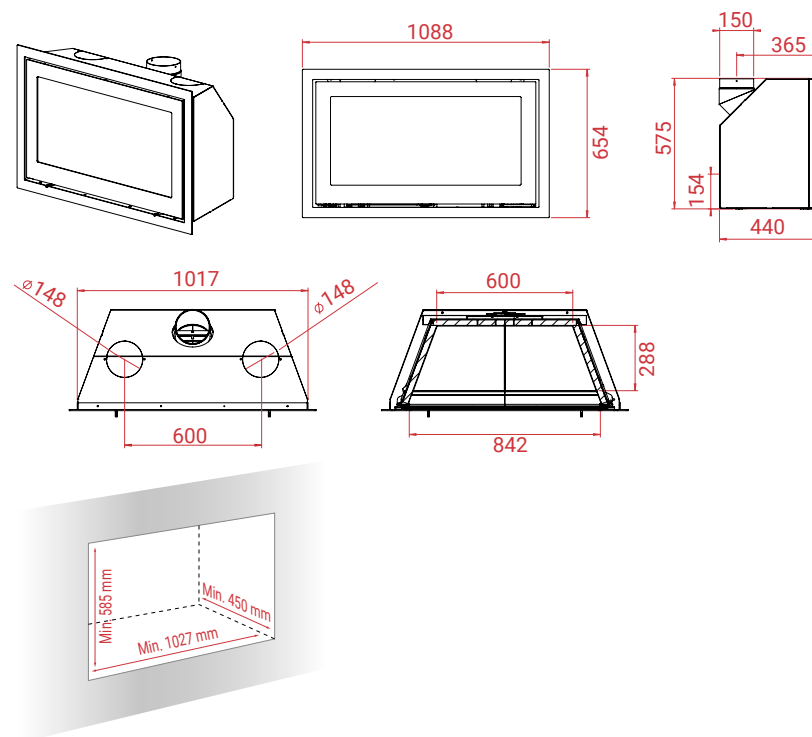


- 154 kg
- 12 Pa
- 7 kW
- 4-11 kW
- 45 - 190 m²

- Mg/M³ 19
- 2/2,5 kg
- 80,5%



H570 W Black Magic



See the stoves online:



Other models in the series:

- H570 W
- H570 W R
- H570 W Air

Accessories:

- Plane special frame
- Special frame w. bend, black
- Outside Air pipe - Straight
- Outside Air pipe - with 90° bending
- Outside Air pipe - bottom connection
- Connection pieces for convection air ducts ϕ 150 mm
- H-Base



LOTUS HEATING SYSTEMS AS

Tlf. +45 6323 7070

www.lotusstoves.com

Email info@lotusstoves.com

H570 W R

A+



- 154 kg
- 12 Pa
- 7 kW
- 4-11 kW
- 45 - 190 m²

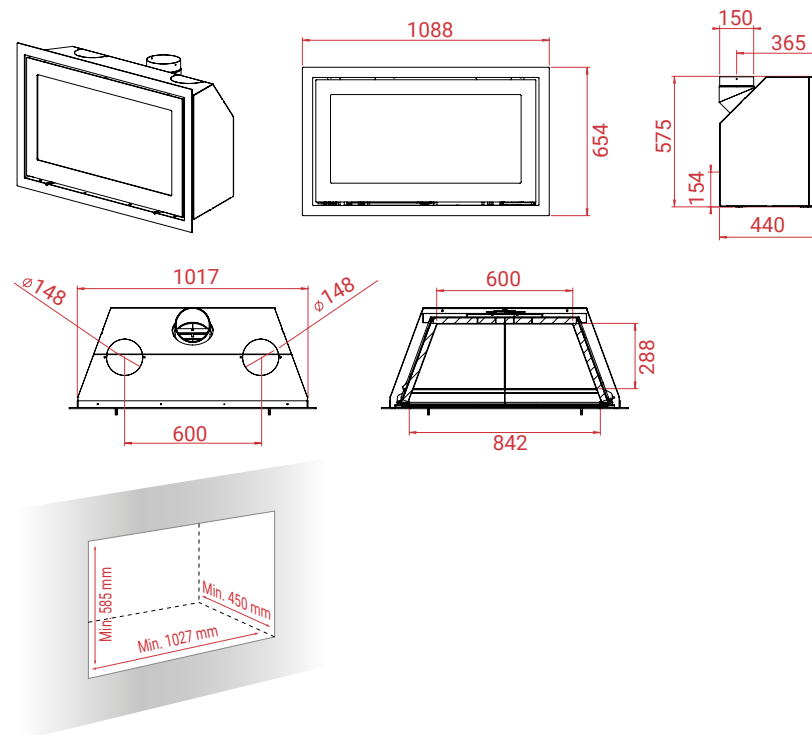
Mg/M³ 19

2 kg

80,5%



H570 W R



Other models in the series:

- H570 W
- H570 W Black Magic
- H570 W Air

Accessories:

- Plane special frame
- Special frame w. bend, black
- Outside Air pipe - Straight
- Outside Air pipe - with 90° bending
- Outside Air pipe - bottom connection
- Connection pieces for convection air ducts ø150 mm
- H-Base

See the stoves online:



LOTUS HEATING SYSTEMS AS

Tlf. +45 6323 7070

www.lotusstoves.com

Email info@lotusstoves.com

H570 W Air

A+

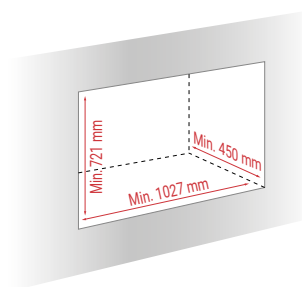
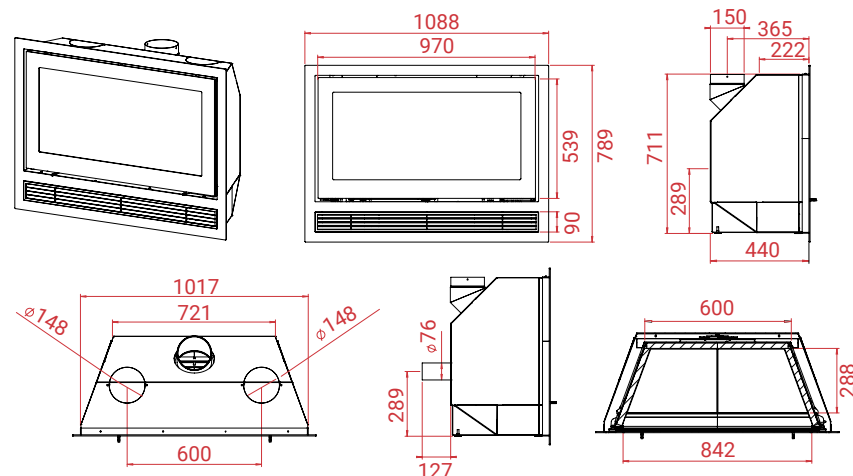


- 171 kg
- 12 Pa
- 7 kW
- 4-11 kW
- 40 - 210 m²

- Mg/M³ 19
- 2/2,5 kg
- 80,5%



H570 W Air



See the stoves online:



Other models in the series:

- H570 W
 - H570 W Black Magic
 - H570 W R
- All inserts in black or grey.**

Accessories:

- Outside Air pipe - Straight
- Outside Air pipe - with 90° bending
- Connection pieces for convection air ducts \varnothing 150 mm



LOTUS HEATING SYSTEMS AS

Tlf. +45 6323 7070
www.lotusstoves.com
Email info@lotusstoves.com

H700

A+

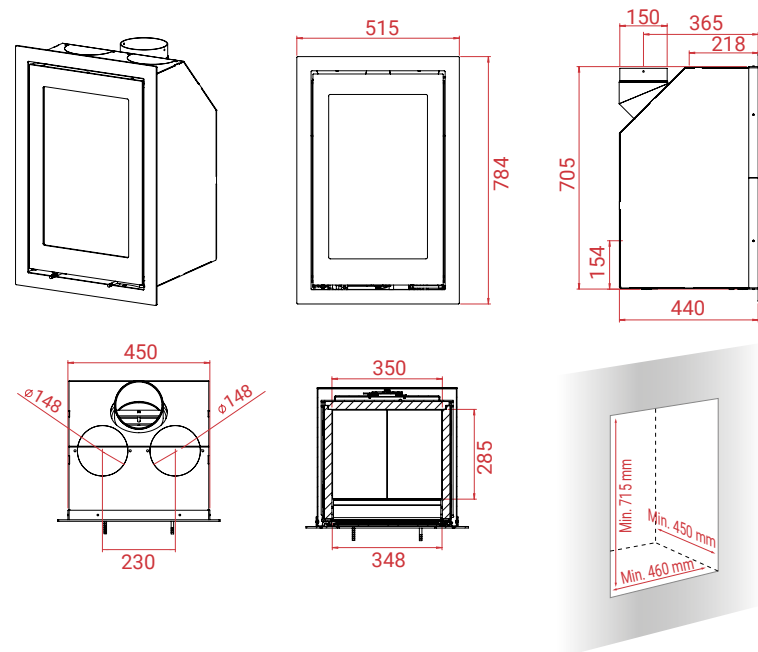


- 96 kg
- 12 Pa
- 6 kW
- 3-7 kW
- 30 - 120 m²

- Mg/M³ 29
- 1,7 kg
- 83%



H700



Other models in the series:
 H700 Black Magic
All inserts in black or grey.

Accessories:

- Plane special frame
- Special frame w. bend, black
- Outside Air pipe - Straight
- Outside Air pipe - with 90° bending
- Outside Air pipe - bottom connection
- Connection pieces for convection air ducts $\phi 150$ mm

See the stoves online:



LOTUS HEATING SYSTEMS AS

Tlf. +45 6323 7070

www.lotusstoves.com

Email info@lotusstoves.com

H700 Black Magic

A+

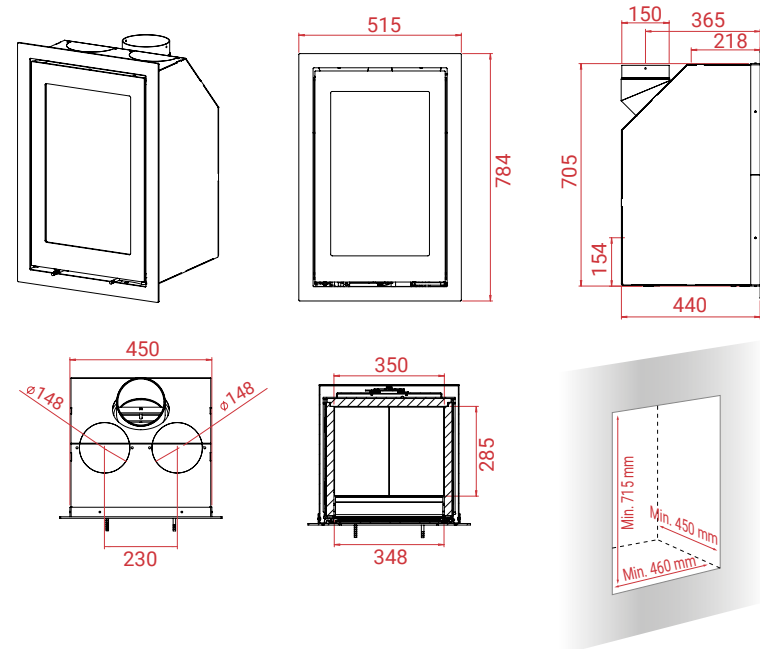


- 96 kg
- 12 Pa
- 6 kW
- 3-7 kW
- 30 - 120 m²

- Mg/M³** 29
- 1,7 kg
- 83%



H700 Black Magic



Other models in the series:
H700

Accessories:

- Plane special frame
- Special frame w. bend, black
- Outside Air pipe - Straight
- Outside Air pipe - with 90° bending
- Outside Air pipe - bottom connection
- Connection pieces for convection air ducts $\phi 150$ mm

See the stoves online:



LOTUS HEATING SYSTEMS AS

Tlf. +45 6323 7070

www.lotusstoves.com

Email info@lotusstoves.com