

Allure

A+

10
years
Guarantee



- 190 kg
- 12 Pa
- 6,5 kW
- 3-9 kW
- 30 - 135 m²

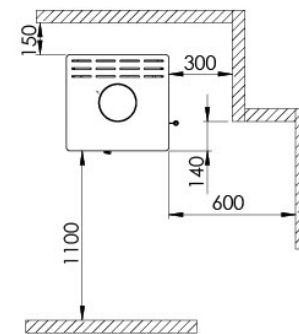
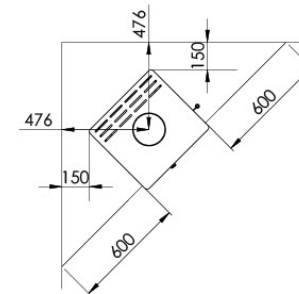
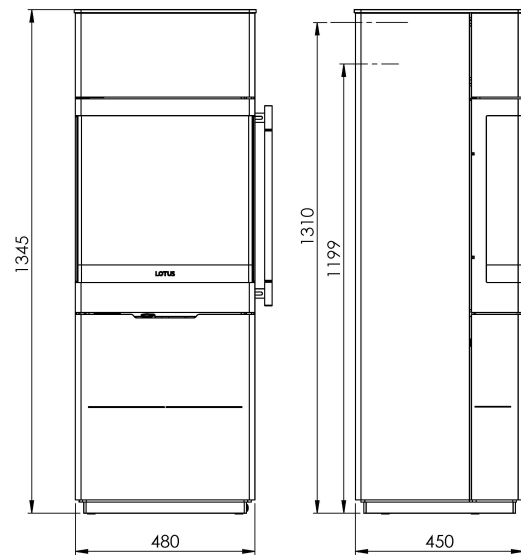
Mg/M³ 28

1,5 kg

82%

 **LOTUS**
QUALITY FIRST

Allure



 **LOTUS**
QUALITY FIRST

LOTUS HEATING SYSTEMS AS

Tlf. +45 6323 7070

www.lotusstoves.com

Email info@lotusstoves.com

Visto 3

A+

10
years
Guarantee



- 280 kg
- 12 Pa
- 5,4 kW
- 3-8 kW
- 30 - 120 m²

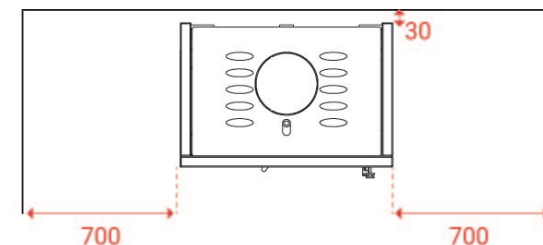
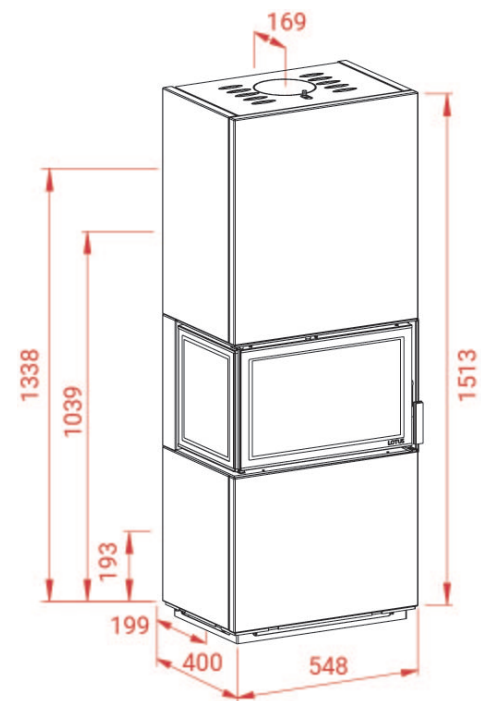
Mg/M³ 11,5

1,4 kg

81,9%

 **LOTUS**
QUALITY FIRST

Visto 3



Other models in the series:

Visto L
Visto R

 **LOTUS**
QUALITY FIRST

LOTUS HEATING SYSTEMS AS

Tlf. +45 6323 7070

www.lotusstoves.com

Email info@lotusstoves.com

Visto R

A+

10
years
Guarantee



- 280 kg
- 12 Pa
- 5,4 kW
- 3-8 kW
- 30 - 120 m²

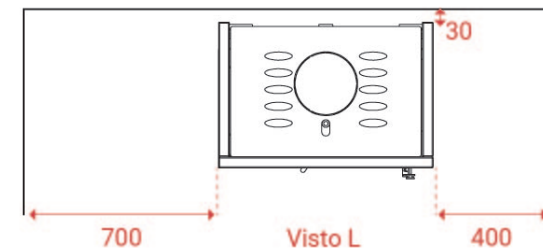
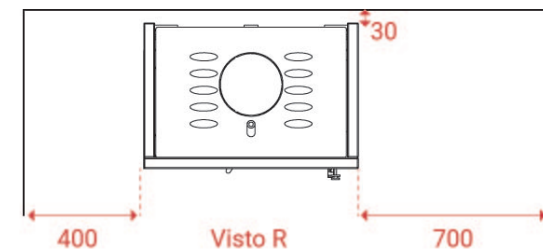
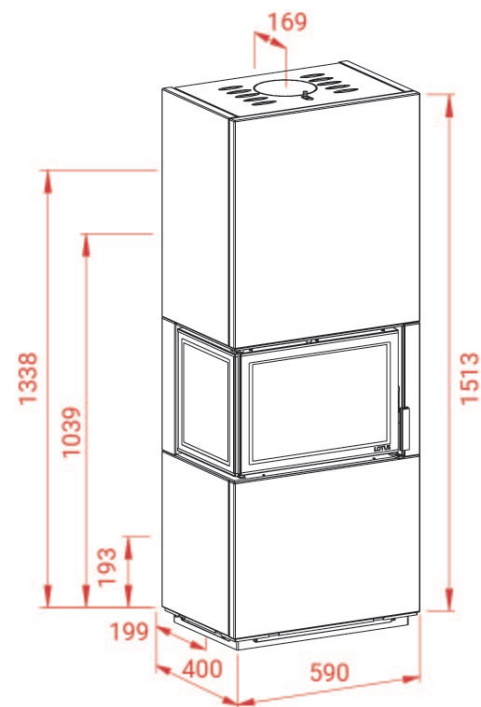
Mg/M³ 11,5

1,4 kg

81,9%

 **LOTUS**
QUALITY FIRST

Visto R



Other models in the series:

Visto 3
Visto L

 **LOTUS**
QUALITY FIRST

LOTUS HEATING SYSTEMS AS

Tlf. +45 6323 7070

www.lotusstoves.com

Email info@lotusstoves.com

Visto L

A+

10
years
Guarantee



- 280 kg
- 12 Pa
- 5,4 kW
- 3-8 kW
- 30 - 120 m²

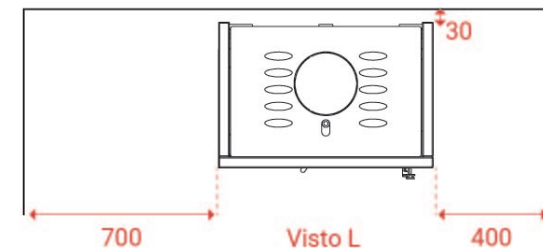
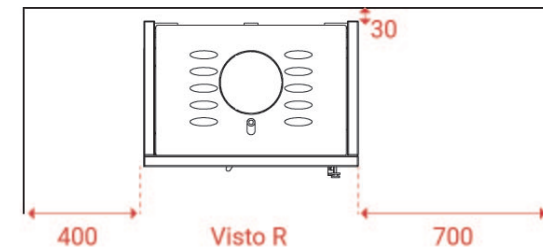
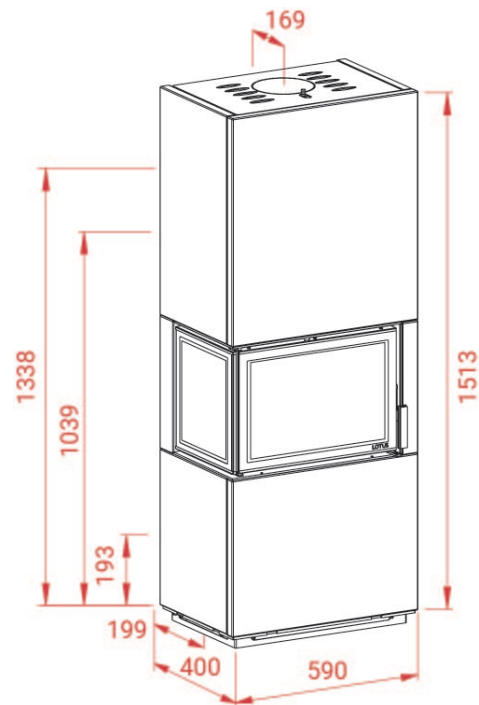
Mg/M³ 11,5

1,4 kg

81,9%

 **LOTUS**
QUALITY FIRST

Visto L



Other models in the series:

Visto 3
Visto L

 **LOTUS**
QUALITY FIRST

LOTUS HEATING SYSTEMS AS

Tlf. +45 6323 7070

www.lotusstoves.com

Email info@lotusstoves.com